



MUD PUMP EXPENDABLES TRIPLEX FLUID END PARTS

TABLE OF CONTENTS

DESCRIPTION	PAGE
MUD PUMP EXPENDABLES	
EMSCO F-350.....	1
EMSCO F-500.....	2
EMSCO F-650.....	3
EMSCO F-800.....	4
EMSCO F-1000.....	5
EMSCO FB-1300.....	6
EMSCO FB-1600.....	7
OPI 700HDL.....	8
GARDNER DENVER PAH (All Models), PJ8A.....	9
GARDNER DENVER TEE & TGE.....	10
GARDNER DENVER PZ-GA & GB PZ-7.....	11
GARDNER DENVER PZ-H-E, VE PZ-8.....	12
GARDNER DENVER PZ-GA & GB PZ-9.....	13
GARDNER DENVER PZ-10.....	14
GARDNER DENVER PZ-11.....	15
IDECO T-500.....	16
IDECO T-800.....	17
IDECO T-1000.....	18
IDECO T-1300.....	19
IDECO T-1600.....	20
OILWELL A-560-PT.....	21
OILWELL A-600-PT.....	22
OILWELL A-850-PT.....	23
OILWELL A-1100-PT.....	24
OILWELL A-1400-PT.....	25
OILWELL A-1700-PT.....	26
NATIONAL JWS-165/340.....	27
NATIONAL JWS-400.....	28
NATIONAL 7-P-50.....	29
NATIONAL 8-P-80.....	30
NATIONAL 9-P-100.....	31
NATIONAL 10-P-130.....	32
NATIONAL 12-P-160.....	33
FLUID END MODULE AND ACCESSORIES	
EMSCO F-350, F-500 & F-650.....	35 – 36
EMSCO F-800 & F-1000.....	37 – 38
EMSCO FB-1300 & FB-1600.....	39 – 40
BOMCO F-1300 & F-1600.....	41 – 42
IDECO T-500, T-800 & T-1000.....	43 – 44
IDECO T-1300 & T-1600.....	45 – 46
GARDNER DENVER PAH (All Models).....	47 – 48
GARDNER DENVER PZ-7, PZ-8 & PZ-9.....	49 – 50
GARDNER DENVER PZ-10 & PZ-11.....	51 – 52
NATIONAL 7-P-50.....	53 – 54
NATIONAL 8-P-80.....	55 – 56
NATIONAL 9-P-100.....	57 – 58
NATIONAL 10-P-130.....	59 – 60
NATIONAL 12-P-160.....	61 – 62
OILWELL A-850-PT, A-1100-PT, A-1400-PT & A-1700-PT.....	63 – 64



MUD PUMP EXPENDABLES

TRIPLEX FLUID END PARTS

TABLE OF CONTENTS (cont.)

DESCRIPTION	PAGE
<i>"L" SHAPED FLUID END MODULE AND ACCESSORIES</i>	
EMSCO FB-1300 & FB-1600.....	65 – 66
IDECO T-1300 & T-1600.....	67 – 68
GARDNER DENVER PZ-10 & PZ-11	69 – 70
NATIONAL 10-P-130.....	71 – 72
NATIONAL 12-P-160.....	73 – 74
OILWELL A-850-PT, A-1100-PT, A-1400-PT & A-1700-PT.....	75 – 76
HYDRAULIC VALVE SEAT PULLER.....	77
PULSATION DAMPENERS AND STRAINER BLOCKS.....	78

EMSCO

6¾ × 7

F-350

Liners & Liner Packing		
SIZES	LINER	LINER PACKING
4"	MK-0146-40	MKG-0281
4½"	MK-0146-44	MKG-0281
5"	MK-0146-50	MKG-0281
5½"	MK-0146-54	MKG-0281
6"	MK-0146-60	MKG-0281
6¼"	MK-0146-62	MKG-0281
6½"	MK-0146-64	MKG-0281
6¾"	MK-0146-66	MKG-0281

Gaskets	
Valve Cover Gasket	Cylinder Head Gasket
MKG-0733	MKG-0281

SERIES	VALVE	SEAT	SPRING	URETHANE INSERT	PULLER HEAD
MKP-4 WEB	MK-U5B-05	MK-5DD-B1	MK-5710-111	MK-UDD-5B	MK-1700-5
MKP-FULL OPEN	MK-5DFO-V1	MK-5DFO-S1	MK-5710-030	MK-5DFO-SI	MK-1700-5FO
MKP-DOUBLE ANGLE	MK-0500117	MK-0508623	MK-05147900	MK-0515844	MK-1700-5BA
MKP-PLATE TYPE	MK-0504991	MK-0508623	MK-05144230	MK-0504888	MK-1700-5BA

Piston Size	Red Thunder Bonded Pistons	Imperial Piston	Imperial Rubber Kits	Rubber Bonded	Long Life (Urethane)
4"	MK-RT-400-10	MK-I40HK10	MK-I40HK	MK-RB-400-10	MK-LL-400-10
4½"	MK-RT-440-10	MK-I44HK10	MK-I44HK	MK-RB-440-10	MK-LL-440-10
5"	MK-RT-500-10	MK-I50HB10	MK-I50HB	MK-RB-500-10	MK-LL-500-10
5½"	MK-RT-540-10	MK-I54HB10	MK-I54HB	MK-RB-540-10	MK-LL-540-10
6"	MK-RT-600-10	MK-I60HB10	MK-I60HB	MK-RB-600-10	MK-LL-600-10
6½"	MK-RT-640-10	MK-I64HL10	MK-I64HL	MK-RB-640-10	MK-LL-640-10

* ¼ Size are available upon request

RODS					
	PISTON ROD	SUB ROD	EXTENSION ROD	ROD CLAMP	PISTON ROD NUT
PART NO.	MK-0147	N/A	MK-16-0142	MK-24-0146	MK-7403224

EMSCO

6¾ × 7½

F-500

Liners & Liner Packing		
SIZES	LINER	LINER PACKING
4"	MK-0146-40	MKG-0281
4½"	MK-0146-44	MKG-0281
5"	MK-0146-50	MKG-0281
5½"	MK-0146-54	MKG-0281
6"	MK-0146-60	MKG-0281
6¼"	MK-0146-62	MKG-0281
6½"	MK-0146-64	MKG-0281
6¾"	MK-0146-66	MKG-0281

Gaskets	
Valve Cover Gasket	Cylinder Head Gasket
MKG-0733	MKG-0281

SERIES	VALVE	SEAT	SPRING	URETHANE INSERT	PULLER HEAD
MKP-4 WEB	MK-U5B-05	MK-5DD-B1	MK-5710-111	MK-UDD-5B	MK-1700-5
MKP-FULL OPEN	MK-5DFO-V1	MK-5DFO-S1	MK-5710-030	MK-5DFO-SI	MK-1700-5FO
MKP-DOUBLE ANGLE	MK-0500117	MK-0508623	MK-05147900	MK-0515844	MK-1700-5BA
MKP-PLATE TYPE	MK-0504991	MK-0508623	MK-05144230	MK-0504888	MK-1700-5BA

Piston Size	Red Thunder Bonded Pistons	Imperial Piston	Imperial Rubber Kits	Rubber Bonded	Long Life (Urethane)
4"	MK-RT-400-10	MK-I40HK10	MK-I40HK	MK-RB-400-10	MK-LL-400-10
4½"	MK-RT-440-10	MK-I44HK10	MK-I44HK	MK-RB-440-10	MK-LL-440-10
5"	MK-RT-500-10	MK-I50HB10	MK-I50HB	MK-RB-500-10	MK-LL-500-10
5½"	MK-RT-540-10	MK-I54HB10	MK-I54HB	MK-RB-540-10	MK-LL-540-10
6"	MK-RT-600-10	MK-I60HB10	MK-I60HB	MK-RB-600-10	MK-LL-600-10
6½"	MK-RT-640-10	MK-I64HL10	MK-I64HL	MK-RB-640-10	MK-LL-640-10

* ¼ Size are available upon request

RODS					
	PISTON ROD	SUB ROD	EXTENSION ROD	ROD CLAMP	PISTON ROD NUT
PART NO.	MK-0146	N/A	MK-16-0146	MK-24-0146	MK-7403224

EMSCO

6¾ × 8

F-650

Liners & Liner Packing		
SIZES	LINER	LINER PACKING
4"	MK-0146-40	MKG-0281
4½"	MK-0146-44	MKG-0281
5"	MK-0146-50	MKG-0281
5½"	MK-0146-54	MKG-0281
6"	MK-0146-60	MKG-0281
6¼"	MK-0146-62	MKG-0281
6½"	MK-0146-64	MKG-0281
6¾"	MK-0146-66	MKG-0281

Gaskets	
Valve Cover Gasket	Cylinder Head Gasket
MKG-0733	MKG-0281

SERIES	VALVE	SEAT	SPRING	URETHANE INSERT	PULLER HEAD
MKP-4 WEB	MK-U5B-05	MK-5DD-B1	MK-5710-111	MK-UDD-5B	MK-1700-5
MKP-FULL OPEN	MK-5DFO-V1	MK-5DFO-S1	MK-5710-030	MK-5DFO-SI	MK-1700-5FO
MKP-DOUBLE ANGLE	MK-0500117	MK-0508623	MK-05147900	MK-0515844	MK-1700-5BA
MKP-PLATE TYPE	MK-0504991	MK-0508623	MK-05144230	MK-0504888	MK-1700-5BA

Piston Size	Red Thunder Bonded Pistons	Imperial Piston	Imperial Rubber Kits	Rubber Bonded	Long Life (Urethane)
4"	MK-RT-400	MK-I40HK14/15	MK-I40HK	MK-RB-400	MK-LL-400
4½"	MK-RT-440	MK-I44HK14/15	MK-I44HK	MK-RB-440	MK-LL-440
5"	MK-RT-500	MK-I50HB14/15	MK-I50HB	MK-RB-500	MK-LL-500
5½"	MK-RT-540	MK-I54HB14/15	MK-I54HB	MK-RB-540	MK-LL-540
6"	MK-RT-600	MK-I60HB14/15	MK-I60HB	MK-RB-600	MK-LL-600
6½"	MK-RT-640	MK-I64HL14/15	MK-I64HL	MK-RB-640	MK-LL-640

* ¼ Size are available upon request

RODS					
	PISTON ROD	SUB ROD	EXTENSION ROD	ROD CLAMP	PISTON ROD NUT
PART NO.	MK-0151	N/A	MK-16-0141	MK-24-0147	MK-7403364

EMSCO

6¾ × 9

F-800

Liners & Liner Packing		
SIZES	LINER	LINER PACKING
4"	MK-0148-40	MKG-0282
4½"	MK-0148-44	MKG-0282
5"	MK-0148-50	MKG-0282
5½"	MK-0148-54	MKG-0282
6"	MK-0148-60	MKG-0282
6¼"	MK-0148-62	MKG-0282
6½"	MK-0148-64	MKG-0282
6¾"	MK-0148-66	MKG-0282

Gaskets	
Valve Cover Gasket	Cylinder Head Gasket
MKG-0740	MKG-0282

SERIES	VALVE	SEAT	SPRING	URETHANE INSERT	PULLER HEAD
MKP-4 WEB	MK-U5B-EH	MK-6ADD-B6	MK-5710-111	MK-UDD-6AB	MK-1700-6
MKP-4 WEB HIGH TEMP	MK-U5B-EHHT	MK-6ADD-B6	MK-5710-111	MK-UDD-6ABHT	MK-1700-6
MKP-FULL OPEN	MK-6FO-V1	MK-6FO-S1	MK-5710-115	MK-6FO-SI	MK-1700-6FO
MKP-G2	MK-1560995	MK-1561380	MK-1560701	MK-1560587	MK-1700-6G2
MKP-ROUGHNECK	MK-RN6-V1	MK-RN6-S6	MK-5710-110L	MK-RN6-I	MK-1700-6FO
MKP-SW FULL OPEN	MK-773-1	MK-873-2	MK-951	MK-973	MK-1700-6SW
MKP-DOUBLE ANGLE	MK-0500119	MK-0520008	MK-05139890	MK-0515845	MK-1700-6BA
MKP-PLATE TYPE	MK-0505038	MK-0520008	MK-05139880	MK-0504890	MK-1700-6BA

Piston Size	Red Thunder Bonded Pistons	Imperial Piston	Imperial Rubber Kits	Rubber Bonded	Long Life (Urethane)
4"	MK-RT-400	MK-I40HK14/15	MK-I40HK	MK-RB-400	MK-LL-400
4½"	MK-RT-440	MK-I44HK14/15	MK-I44HK	MK-RB-440	MK-LL-440
5"	MK-RT-500	MK-I50HB14/15	MK-I50HB	MK-RB-500	MK-LL-500
5½"	MK-RT-540	MK-I54HB14/15	MK-I54HB	MK-RB-540	MK-LL-540
6"	MK-RT-600	MK-I60HB14/15	MK-I60HB	MK-RB-600	MK-LL-600
6½"	MK-RT-640	MK-I64HL14/15	MK-I64HL	MK-RB-640	MK-LL-640

* ¼ Size are available upon request

RODS					
	PISTON ROD	SUB ROD	EXTENSION ROD	ROD CLAMP	PISTON ROD NUT
PART NO.	MK-0150	N/A	MK-16-0150	MK-24-0150	MK-7403364

EMSCO

6¾ × 10

F-1000

Liners & Liner Packing		
SIZES	LINER	LINER PACKING
4"	MK-0148-40	MKG-0282
4½"	MK-0148-44	MKG-0282
5"	MK-0148-50	MKG-0282
5½"	MK-0148-54	MKG-0282
6"	MK-0148-60	MKG-0282
6¼"	MK-0148-62	MKG-0282
6½"	MK-0148-64	MKG-0282
6¾"	MK-0148-66	MKG-0282

Gaskets	
Valve Cover Gasket	Cylinder Head Gasket
MKG-0740	MKG-0282

SERIES	VALVE	SEAT	SPRING	URETHANE INSERT	PULLER HEAD
MKP-4 WEB	MK-U5B-EH	MK-6ADD-B6	MK-5710-111	MK-UDD-6AB	MK-1700-6
MKP-4 WEB HIGH TEMP	MK-U5B-EHHT	MK-6ADD-B6	MK-5710-111	MK-UDD-6ABHT	MK-1700-6
MKP-FULL OPEN	MK-6FO-V1	MK-6FO-S1	MK-5710-115	MK-6FO-SI	MK-1700-6FO
MKP-G2	MK-1560995	MK-1561380	MK-1560701	MK-1560587	MK-1700-6G2
MKP-ROUGHNECK	MK-RN6-V1	MK-RN6-S6	MK-5710-110L	MK-RN6-I	MK-1700-6FO
MKP-SW FULL OPEN	MK-773-1	MK-873-2	MK-951	MK-973	MK-1700-6SW
MKP-DOUBLE ANGLE	MK-0500119	MK-0520008	MK-05139890	MK-0515845	MK-1700-6BA
MKP-PLATE TYPE	MK-0505038	MK-0520008	MK-05139880	MK-0504890	MK-1700-6BA

Piston Size	Red Thunder Bonded Pistons	Imperial Piston	Imperial Rubber Kits	Rubber Bonded	Long Life (Urethane)
4"	MK-RT-400	MK-I40HK14/15	MK-I40HK	MK-RB-400	MK-LL-400
4½"	MK-RT-440	MK-I44HK14/15	MK-I44HK	MK-RB-440	MK-LL-440
5"	MK-RT-500	MK-I50HB14/15	MK-I50HB	MK-RB-500	MK-LL-500
5½"	MK-RT-540	MK-I54HB14/15	MK-I54HB	MK-RB-540	MK-LL-540
6"	MK-RT-600	MK-I60HB14/15	MK-I60HB	MK-RB-600	MK-LL-600
6½"	MK-RT-640	MK-I64HL14/15	MK-I64HL	MK-RB-640	MK-LL-640

* ¼ Size are available upon request

RODS					
	PISTON ROD	SUB ROD	EXTENSION ROD	ROD CLAMP	PISTON ROD NUT
PART NO.	MK-0148	N/A	MK-16-0148	MK-24-0148	MK-7403364

EMSCO

7½ × 12

FB-1300

Liners & Liner Packing		
SIZES	LINER	LINER PACKING
4"	MK-2145-40	MKG-0800
4½"	MK-2145-44	MKG-0800
5"	MK-2145-50	MKG-0800
5½"	MK-2145-54	MKG-0800
6"	MK-2145-60	MKG-0800
6¼"	MK-2145-62	MKG-0800
6½"	MK-2145-64	MKG-0800
6¾"	MK-2145-66	MKG-0800
7"	MK-2145-70	MKG-0800
7½"	MK-2145-74	MKG-0800

Gaskets	
Valve Cover Gasket	Cylinder Head Gasket
MKG-0741	MKG-0801

SERIES	VALVE	SEAT	SPRING	URETHANE INSERT	PULLER HEAD
MKP-4 WEB	MK-U5C-EEF	MK-7DD-B1	MK-5710-115	MK-UDD-7B	MK-1700-7
MKP-4 WEB HIGH TEMP	MK-U5C-EEFHT	MK-7DD-B1	MK-5710-115	MK-UDD-7BHT	MK-1700-7
MKP-FULL OPEN	MK-7FO-V1	MK-7FO-S1	MK-5710-115L	MK-7FO-SI	MK-1700-7FO
MKP-G2	MK-1560985	MK-1561370	MK-1560702	MK-1560557	MK-1700-7G2
MKP-3 WEB	MK-202PZL482A	MK-202PZL039	MK-5710-115	MK-201PZL106	MK-1700-7R
MKP-ROUGHNECK	MK-RN7-V1	MK-RN7-S1	MK-5710-115L	MK-RN7-I	MK-1700-7FO
MKP-SW FULL OPEN	MK-777-7	MK-877-7	MK-951	MK-977	MK-1700-7SW
MKP-DOUBLE ANGLE	MK-0500110	MK-0509309	MK-05139890	MK-0514275	MK-1700-7BA
MKP-PLATE TYPE	MK-0505062	MK-0509309	MK-05139880	MK-0504893	MK-1700-7BA

Piston Size	Red Thunder Bonded Pistons	Imperial Piston	Imperial Rubber Kits	Rubber Bonded	Long Life (Urethane)
4"	MK-RT-400	MK-I40HK14/15	MK-I40HK	MK-RB-400	MK-LL-400
4½"	MK-RT-440	MK-I44HK14/15	MK-I44HK	MK-RB-440	MK-LL-440
5"	MK-RT-500	MK-I50HB14/15	MK-I50HB	MK-RB-500	MK-LL-500
5½"	MK-RT-540	MK-I54HB14/15	MK-I54HB	MK-RB-540	MK-LL-540
6"	MK-RT-600	MK-I60HB14/15	MK-I60HB	MK-RB-600	MK-LL-600
6½"	MK-RT-640	MK-I64HL14/15	MK-I64HL	MK-RB-640	MK-LL-640
7"	MK-RT-700	MK-I70HL14/15	MK-I70HL	MK-RB-700	MK-LL-700
7½"	N/A	MK-I74HL14/15	MK-I74HL	N/A	N/A

* ¼ Size are available upon request

RODS					
	PISTON ROD	SUB ROD	EXTENSION ROD	ROD CLAMP	PISTON ROD NUT
PART NO.	MK-2145	N/A	MK-16-0145	MK-24-0145	MK-7403364

EMSCO

7½ × 12

FB-1600

Liners & Liner Packing		
SIZES	LINER	LINER PACKING
4"	MK-2145-40	MKG-0800
4½"	MK-2145-44	MKG-0800
5"	MK-2145-50	MKG-0800
5½"	MK-2145-54	MKG-0800
6"	MK-2145-60	MKG-0800
6¼"	MK-2145-62	MKG-0800
6½"	MK-2145-64	MKG-0800
6¾"	MK-2145-66	MKG-0800
7"	MK-2145-70	MKG-0800
7½"	MK-2145-74	MKG-0800

Gaskets	
Valve Cover Gasket	Cylinder Head Gasket
MKG-0741	MKG-0801

SERIES	VALVE	SEAT	SPRING	URETHANE INSERT	PULLER HEAD
MKP-4 WEB	MK-U5C-EEF	MK-7DD-B1	MK-5710-115	MK-UDD-7B	MK-1700-7
MKP-4 WEB HIGH TEMP	MK-U5C-EEFHT	MK-7DD-B1	MK-5710-115	MK-UDD-7BHT	MK-1700-7
MKP-FULL OPEN	MK-7FO-V1	MK-7FO-S1	MK-5710-115L	MK-7FO-SI	MK-1700-7FO
MKP-G2	MK-1560985	MK-1561370	MK-1560702	MK-1560557	MK-1700-7G2
MKP-3 WEB	MK-202PZL482A	MK-202PZL039	MK-5710-115	MK-201PZL106	MK-1700-7R
MKP-ROUGHNECK	MK-RN7-V1	MK-RN7-S1	MK-5710-115L	MK-RN7-I	MK-1700-7FO
MKP-SW FULL OPEN	MK-777-7	MK-877-7	MK-951	MK-977	MK-1700-7SW
MKP-DOUBLE ANGLE	MK-0500110	MK-0509309	MK-05139890	MK-0514275	MK-1700-7BA
MKP-PLATE TYPE	MK-0505062	MK-0509309	MK-05139880	MK-0504893	MK-1700-7BA

Piston Size	Red Thunder Bonded Pistons	Imperial Piston	Imperial Rubber Kits	Rubber Bonded	Long Life (Urethane)
4"	MK-RT-400	MK-I40HK14/15	MK-I40HK	MK-RB-400	MK-LL-400
4½"	MK-RT-440	MK-I44HK14/15	MK-I44HK	MK-RB-440	MK-LL-440
5"	MK-RT-500	MK-I50HB14/15	MK-I50HB	MK-RB-500	MK-LL-500
5½"	MK-RT-540	MK-I54HB14/15	MK-I54HB	MK-RB-540	MK-LL-540
6"	MK-RT-600	MK-I60HB14/15	MK-I60HB	MK-RB-600	MK-LL-600
6½"	MK-RT-640	MK-I64HL14/15	MK-I64HL	MK-RB-640	MK-LL-640
7"	MK-RT-700	MK-I70HL14/15	MK-I70HL	MK-RB-700	MK-LL-700
7½"	N/A	MK-I74HL14/15	MK-I74HL	N/A	N/A

* ¼ Size are available upon request

RODS					
	PISTON ROD	SUB ROD	EXTENSION ROD	ROD CLAMP	PISTON ROD NUT
PART NO.	MK-2145	N/A	MK-16-0145	MK-24-0145	MK-7403364

OPI

7 × 8

700HDL

Liners & Liner Packing		
SIZES	LINER	LINER PACKING
4"	MK-0481-40	MKG-0753
4½"	MK-0481-44	MKG-0754
5"	MK-0481-50	MKG-0742
5½"	MK-0481-54	MKG-0743
6"	MK-0481-60	MKG-0745
6½"	MK-0481-64	MKG-0746
7"	MK-0481-70	MKG-0756

Gaskets	
Valve Cover Gasket	Cylinder Head Gasket
MKG-0745	MKG-0745

SERIES	VALVE	SEAT	SPRING	URETHANE INSERT	PULLER HEAD
MKP-4 WEB	MK-U5B-EH	MK-6ADD-B6	MK-5710-115	MK-UDD-6AB	MK-1700-6
MKP-4 WEB HIGH TEMP	MK-U5B-EHHT	MK-6ADD-B6	MK-5710-115	MK-UDD-6ABHT	MK-1700-6
MKP-FULL OPEN	MK-6FO-V1	MK-6FO-S1	MK-5710-115	MK-6FO-SI	MK-1700-6FO
MKP-G2	MK-1560995	MK-1561380	MK-1560701	MK-1560587	MK-1700-6G2
MKP-ROUGHNECK	MK-RN6-V1	MK-RN6-S6	MK-5710-115	MK-RN6-I	MK-1700-6FO

Piston Size	Red Thunder Bonded Pistons	Imperial Piston	Imperial Rubber Kits	Rubber Bonded	Long Life (Urethane)
4½"	MK-RT-440	MK-I44HK14/15	MK-I44HK	MK-RB-440	MK-LL-440
5"	MK-RT-500	MK-I50HB14/15	MK-I50HB	MK-RB-500	MK-LL-500
5½"	MK-RT-540	MK-I54HB14/15	MK-I54HB	MK-RB-540	MK-LL-540
6"	MK-RT-600	MK-I60HB14/15	MK-I60HB	MK-RB-600	MK-LL-600
6½"	MK-RT-640	MK-I64HL14/15	MK-I64HL	MK-RB-640	MK-LL-640
7"	MK-RT-700	MK-I70HL14/15	MK-I70HL	MK-RB-700	MK-LL-700

* ¼ Size are available upon request

RODS						
	PISTON ROD	SUB ROD	EXTENSION ROD	EXTENSION ROD CLAMP	PISTON ROD CLAMP	PISTON ROD NUT
CLAMP TYPE	MK-0482	MK-0482-B	MK-16-0481	MK-24-0481	MK-24-0482	MK-7403364
THREAD TYPE	MK-0481	MK-0481-B	MK-16-0481	N/A	N/A	MK-7403364

GARDNER DENVER PAH (All Models), PJ8A

5 × 8

Liners & Liner Packing			
SIZES	LINER (Small OD)	LINER PACKING	LINER (Large OD)
3"	MK-0189-30	MKG-0266	MK-0193-30
3½"	MK-0189-34	MKG-0266	MK-0193-34
4"	MK-0189-40	MKG-0266	MK-0193-40
4½"	MK-0189-44	MKG-0266	MK-0193-44
5"		MKG-0266	MK-0193-50

Gaskets	
Valve Cover Gasket	Cylinder Head Gasket
MKG-0799	MKG-0799

SERIES	VALVE	SEAT	SPRING	URETHANE INSERT	PULLER HEAD
MKP-FULL OPEN	MK-4DFO-V1	MK-4FFO-S5	MK-5710-033	MK-4FFO-SI	MK-1700-4FO
MKP-3 WEB	MK-PJ482A	MK-PJ451	MK-5710-078	MK-PJ452	MK-1700-4GD

Piston Size	Red Thunder Bonded Pistons	Imperial Piston	Imperial Rubber Kits	Rubber Bonded	Long Life (Urethane)
3"	N/A	MK-I30HA14	MK-I30HA	N/A	N/A
3½"	N/A	MK-I34HK14/15	MK-I34HK	N/A	N/A
4"	MK-RT-400	MK-I40HK14/15	MK-I40HK	MK-RB-400	MK-LL-400
4½"	MK-RT-440	MK-I44HK14/15	MK-I44HK	MK-RB-440	MK-LL-440
5"	MK-RT-500	MK-I50HB14/15	MK-I50HB	MK-RB-500	MK-LL-500

* ¼ Size are available upon request

RODS					
	PISTON ROD	SUB ROD	EXTENSION ROD	ROD CLAMP	PISTON ROD NUT
CLAMP TYPE	MK-0193	N/A	MK-16-0192	MK-24-0191	MK-7403364

GARDNER DENVER TEE, TGE

4 × 5

Liners & Liner Packing		
SIZES	LINER	LINER PACKING
3"	MK-1190-30	MKG-0174
3½"	MK-1190-34	MKG-0174
4"	MK-1190-40	MKG-0174

Gaskets	
Valve Cover Gasket	Cylinder Head Gasket
MK-25AL20	MK-25AL20

ABRASION RESISTANT	
VALVE ASSEMBLY	MK-209TEE482 (Includes Valve Body, Cage, Spring and Insert)
INSERT	MK-ARI-10
SPRING	MK-2116523
VALVE SEAT PULLER HEAD	MK-1700-16SN

Piston Size	Red Thunder Bonded Pistons	Imperial Piston	Imperial Rubber Kits	Rubber Bonded	Long Life (Urethane)
3"	N/A	MK-I30HA10	MK-I30HA	N/A	N/A
3½"	N/A	MK-I34HK10	MK-I34HK	N/A	N/A
4"	MK-RT-400-10	MK-I40HK10	MK-I40HK	MK-RB-400-10	MK-LL-400-10

* ¼ Size are available upon request

RODS					
	PISTON ROD	SUB ROD	EXTENSION ROD	ROD CLAMP	PISTON ROD NUT
PART NO.	MK-0204	N/A	MK-300TEE839	MK-201TAE092A	MK-7403224

GARDNER DENVER

7 x 7

PZ-GA & GB

PZ-7

Liners & Liner Packing		
SIZES	LINER	LINER PACKING
4"	MK-1192-40	MKG-0692
4½"	MK-1192-44	MKG-0692
5"	MK-1192-50	MKG-0692
5½"	MK-1192-54	MKG-0692
6"	MK-1192-60	MKG-0692
6¼"	MK-1192-62	MKG-0692
6½"	MK-1192-64	MKG-0692
6¾"	MK-1192-66	MKG-0692
7"	MK-1192-70	MKG-0692

Gaskets	
Valve Cover Gasket	Cylinder Head Gasket
MKG-0749	MKG-0749

SERIES	VALVE	SEAT	SPRING	URETHANE INSERT	PULLER HEAD
MKP-4 WEB	MK-U5C-EEF	MK-7DD-B1	MK-5710-110	MK-UDD-7B	MK-1700-7
MKP-4 WEB HIGH TEMP	MK-U5C-EEFHT	MK-7DD-B1	MK-5710-110	MK-UDD-7BHT	MK-1700-7
MKP-FULL OPEN	MK-7FO-V1	MK-7FO-S1	MK-5710-115L	MK-7FO-SI	MK-1700-7FO
MKP-G2	MK-1560985	MK-1561370	MK-1560702	MK-1560557	MK-1700-7G2
MKP-3 WEB	MK-202PZL482A	MK-202PZL039	MK-5710-110	MK-201PZL106	MK-1700-7R
MKP-ROUGHNECK	MK-RN7-V1	MK-RN7-S1	MK-5710-110L	MK-RN7-I	MK-1700-7FO
MKP-SW FULL OPEN	MK-777-7	MK-877-7	MK-951	MK-977	MK-1700-7SW
MKP-DOUBLE ANGLE	MK-0500110	MK-0509309	MK-05147900	MK-0514275	MK-1700-7BA
MKP-PLATE TYPE	MK-0505062	MK-0509309	MK-05144230	MK-0504893	MK-1700-7BA

Piston Size	Red Thunder Bonded Pistons	Imperial Piston	Imperial Rubber Kits	Rubber Bonded	Long Life (Urethane)
4"	MK-RT-400	MK-I40HK14/15	MK-I40HB	MK-RB-400	MK-LL-400
4½"	MK-RT-440	MK-I44HK14/15	MK-I44HB	MK-RB-440	MK-LL-440
5"	MK-RT-500	MK-I50HB14/15	MK-I50HB	MK-RB-500	MK-LL-500
5½"	MK-RT-540	MK-I54HB14/15	MK-I54HB	MK-RB-540	MK-LL-540
6"	MK-RT-600	MK-I60HB14/15	MK-I60HB	MK-RB-600	MK-LL-600
6½"	MK-RT-640	MK-I64HL14/15	MK-I64HL	MK-RB-640	MK-LL-640
7"	MK-RT-700	MK-I70HL14/15	MK-I70HL	MK-RB-700	MK-LL-700

* ¼ Size are available upon request

RODS					
	PISTON ROD	SUB ROD	EXTENSION ROD	ROD CLAMP	PISTON ROD NUT
CLAMP TYPE	MK-0205	N/A	MK-16-0205	MK-24-0191	MK-7403364
THREAD TYPE	MK-0196	N/A	MK-16-0196	N/A	MK-7403364

GARDNER DENVER

7 x 8

PZ-H-E, VE

PZ-8

Liners & Liner Packing		
SIZES	LINER	LINER PACKING
4"	MK-1191-40	MKG-0692
4½"	MK-1191-44	MKG-0692
5"	MK-1191-50	MKG-0692
5½"	MK-1191-54	MKG-0692
6"	MK-1191-60	MKG-0692
6¼"	MK-1191-62	MKG-0692
6½"	MK-1191-64	MKG-0692
6¾"	MK-1191-66	MKG-0692
7"	MK-1191-70	MKG-0692

Gaskets	
Valve Cover Gasket	Cylinder Head Gasket
MKG-0749	MKG-0749

SERIES	VALVE	SEAT	SPRING	URETHANE INSERT	PULLER HEAD
MKP-4 WEB	MK-U5C-EEF	MK-7DD-B1	MK-5710-110	MK-UDD-7B	MK-1700-7
MKP-4 WEB HIGH TEMP	MK-U5C-EEFHT	MK-7DD-B1	MK-5710-110	MK-UDD-7BHT	MK-1700-7
MKP-FULL OPEN	MK-7FO-V1	MK-7FO-S1	MK-5710-115L	MK-7FO-SI	MK-1700-7FO
MKP-G2	MK-1560985	MK-1561370	MK-1560702	MK-1560557	MK-1700-7G2
MKP-3 WEB	MK-202PZL482A	MK-202PZL039	MK-5710-110	MK-201PZL106	MK-1700-7R
MKP-ROUGHNECK	MK-RN7-V1	MK-RN7-S1	MK-5710-110L	MK-RN7-I	MK-1700-7FO
MKP-SW FULL OPEN	MK-777-7	MK-877-7	MK-951	MK-977	MK-1700-7SW
MKP-DOUBLE ANGLE	MK-0500110	MK-0509309	MK-05147900	MK-0514275	MK-1700-7BA
MKP-PLATE TYPE	MK-0505062	MK-0509309	MK-05144230	MK-0504893	MK-1700-7BA

Piston Size	Red Thunder Bonded Pistons	Imperial Piston	Imperial Rubber Kits	Rubber Bonded	Long Life (Urethane)
4"	MK-RT-400	MK-I40HK14/15	MK-I40HK	MK-RB-400	MK-LL-400
4½"	MK-RT-440	MK-I44HK14/15	MK-I44HK	MK-RB-440	MK-LL-440
5"	MK-RT-500	MK-I50HB14/15	MK-I50HB	MK-RB-500	MK-LL-500
5½"	MK-RT-540	MK-I54HB14/15	MK-I54HB	MK-RB-540	MK-LL-540
6"	MK-RT-600	MK-I60HB14/15	MK-I60HB	MK-RB-600	MK-LL-600
6½"	MK-RT-640	MK-I64HL14/15	MK-I64HL	MK-RB-640	MK-LL-640
7"	MK-RT-70	MK-I70HL14/15	MK-I70HL	MK-RB-700	MK-LL-700

* ¼ Size are available upon request

RODS					
	PISTON ROD	SUB ROD	EXTENSION ROD	ROD CLAMP	PISTON ROD NUT
CLAMP TYPE	MK-0191	N/A	MK-16-0192	MK-24-0191	MK-7403364
THREAD TYPE	MK-0202	N/A	MK-16-0196	N/A	MK-7403364

GARDNER DENVER

7 × 9

PZ-GA & GB

PZ-9

Liners & Liner Packing		
SIZES	LINER	LINER PACKING
4"	MK-1191-40	MKG-0692
4½"	MK-1191-44	MKG-0692
5"	MK-1191-50	MKG-0692
5½"	MK-1191-54	MKG-0692
6"	MK-1191-60	MKG-0692
6¼"	MK-1191-62	MKG-0692
6½"	MK-1191-64	MKG-0692
6¾"	MK-1191-66	MKG-0692
7"	MK-1191-70	MKG-0692

Gaskets	
Valve Cover Gasket	Cylinder Head Gasket
MKG-0749	MKG-0749

SERIES	VALVE	SEAT	SPRING	URETHANE INSERT	PULLER HEAD
MKP-4 WEB	MK-U5C-EEF	MK-7DD-B1	MK-5710-110	MK-UDD-7B	MK-1700-7
MKP-4 WEB HIGH TEMP	MK-U5C-EEFHT	MK-7DD-B1	MK-5710-110	MK-UDD-7BHT	MK-1700-7
MKP-FULL OPEN	MK-7FO-V1	MK-7FO-S1	MK-5710-115L	MK-7FO-SI	MK-1700-7FO
MKP-G2	MK-1560985	MK-1561370	MK-1560702	MK-1560557	MK-1700-7G2
MKP-3 WEB	MK-202PZL482A	MK-202PZL039	MK-5710-110	MK-201PZL106	MK-1700-7R
MKP-ROUGHNECK	MK-RN7-V1	MK-RN7-S1	MK-5710-110L	MK-RN7-I	MK-1700-7FO
MKP-SW FULL OPEN	MK-777-7	MK-877-7	MK-951	MK-977	MK-1700-7SW
MKP-DOUBLE ANGLE	MK-0500110	MK-0509309	MK-05147900	MK-0514275	MK-1700-7BA
MKP-PLATE TYPE	MK-0505062	MK-0509309	MK-05144230	MK-0504893	MK-1700-7BA

Piston Size	Red Thunder Bonded Pistons	Imperial Piston	Imperial Rubber Kits	Rubber Bonded	Long Life (Urethane)
4"	MK-RT-400	MK-I40HK14/15	MK-I40HK	MK-RB-400	MK-LL-400
4½"	MK-RT-440	MK-I44HK14/15	MK-I44HK	MK-RB-440	MK-LL-440
5"	MK-RT-500	MK-I50HB14/15	MK-I50HB	MK-RB-500	MK-LL-500
5½"	MK-RT-540	MK-I54HB14/15	MK-I54HB	MK-RB-540	MK-LL-540
6"	MK-RT-600	MK-I60HB14/15	MK-I60HB	MK-RB-600	MK-LL-600
6½"	MK-RT-640	MK-I64HL14/15	MK-I64HL	MK-RB-640	MK-LL-640
7"	MK-RT-700	MK-I70HL14/15	MK-I70HL	MK-RB-700	MK-LL-700

* ¼ Size are available upon request

RODS					
	PISTON ROD	SUB ROD	EXTENSION ROD	ROD CLAMP	PISTON ROD NUT
CLAMP TYPE	MK-0191	N/A	MK-16-0191	MK-24-0191	MK-7403364
THREAD TYPE	MK-0202	N/A	MK-16-0201	N/A	MK-7403364

GARDNER DENVER

7 × 10

PZL

PZ-10

Liners & Liner Packing		
SIZES	LINER	LINER PACKING
4"	MK-0197-40	MKG-0692
4½"	MK-0197-44	MKG-0692
5"	MK-0197-50	MKG-0692
5½"	MK-0197-54	MKG-0692
6"	MK-0197-60	MKG-0692
6¼"	MK-0197-62	MKG-0692
6½"	MK-0197-64	MKG-0692
6¾"	MK-0197-66	MKG-0692
7"	MK-0197-70	MKG-0692

Gaskets	
Valve Cover Gasket	Cylinder Head Gasket
MKG-0780	MKG-0780

SERIES	VALVE	SEAT	SPRING	URETHANE INSERT	PULLER HEAD
MKP-4 WEB	MK-U5C-EEF	MK-7DD-B1	MK-5710-110	MK-UDD-7B	MK-1700-7
MKP-4 WEB HIGH TEMP	MK-U5C-EEFHT	MK-7DD-B1	MK-5710-110	MK-UDD-7BHT	MK-1700-7
MKP-FULL OPEN	MK-7FO-V1	MK-7FO-S1	MK-5710-115L	MK-7FO-SI	MK-1700-7FO
MKP-G2	MK-1560985	MK-1561370	MK-1560702	MK-1560557	MK-1700-7G2
MKP-3 WEB	MK-202PZL482A	MK-202PZL039	MK-5710-110	MK-201PZL106	MK-1700-7R
MKP-ROUGHNECK	MK-RN7-V1	MK-RN7-S1	MK-5710-110L	MK-RN7-I	MK-1700-7FO
MKP-SW FULL OPEN	MK-777-7	MK-877-7	MK-951	MK-977	MK-1700-7SW
MKP-DOUBLE ANGLE	MK-0500110	MK-0509309	MK-05147900	MK-0514275	MK-1700-7BA
MKP-PLATE TYPE	MK-0505062	MK-0509309	MK-05144230	MK-0504893	MK-1700-7BA

Piston Size	Red Thunder Bonded Pistons	Imperial Piston	Imperial Rubber Kits	Rubber Bonded	Long Life (Urethane)
4"	MK-RT-400	MK-I40HK14/15	MK-I40HK	MK-RB-400	MK-LL-400
4½"	MK-RT-440	MK-I44HK14/15	MK-I44HK	MK-RB-440	MK-LL-440
5"	MK-RT-500	MK-I50HB14/15	MK-I50HB	MK-RB-500	MK-LL-500
5½"	MK-RT-540	MK-I54HB14/15	MK-I54HB	MK-RB-540	MK-LL-540
6"	MK-RT-600	MK-I60HB14/15	MK-I60HB	MK-RB-600	MK-LL-600
6½"	MK-RT-640	MK-I64HL14/15	MK-I64HL	MK-RB-640	MK-LL-640
7"	MK-RT-700	MK-I70HL14/15	MK-I70HL	MK-RB-700	MK-LL-700

* ¼ Size are available upon request

RODS					
	PISTON ROD	SUB ROD	EXTENSION ROD	ROD CLAMP	PISTON ROD NUT
CLAMP TYPE	MK-0200	N/A	MK-16-0200	MK-24-0200	MK-7403364
THREAD TYPE	MK-0201	N/A	MK-16-0201	N/A	MK-7403364

GARDNER DENVER

7 × 11

PZL

PZ-11

Liners & Liner Packing		
SIZES	LINER	LINER PACKING
4"	MK-0197-40	MKG-0692
4½"	MK-0197-44	MKG-0692
5"	MK-0197-50	MKG-0692
5½"	MK-0197-54	MKG-0692
6"	MK-0197-60	MKG-0692
6¼"	MK-0197-62	MKG-0692
6½"	MK-0197-64	MKG-0692
6¾"	MK-0197-66	MKG-0692
7"	MK-0197-70	MKG-0692

Gaskets	
Valve Cover Gasket	Cylinder Head Gasket
MKG-0780	MKG-0780

SERIES	VALVE	SEAT	SPRING	URETHANE INSERT	PULLER HEAD
MKP-4 WEB	MK-U5C-EEF	MK-7DD-B1	MK-5710-110	MK-UDD-7B	MK-1700-7
MKP-4 WEB HIGH TEMP	MK-U5C-EEFHT	MK-7DD-B1	MK-5710-110	MK-UDD-7BHT	MK-1700-7
MKP-FULL OPEN	MK-7FO-V1	MK-7FO-S1	MK-5710-115L	MK-7FO-SI	MK-1700-7FO
MKP-G2	MK-1560985	MK-1561370	MK-1560702	MK-1560557	MK-1700-7G2
MKP-3 WEB	MK-202PZL482A	MK-202PZL039	MK-5710-110	MK-201PZL106	MK-1700-7R
MKP-ROUGHNECK	MK-RN7-V1	MK-RN7-S1	MK-5710-110L	MK-RN7-I	MK-1700-7FO
MKP-SW FULL OPEN	MK-777-7	MK-877-7	MK-951	MK-977	MK-1700-7SW
MKP-DOUBLE ANGLE	MK-0500110	MK-0509309	MK-05147900	MK-0514275	MK-1700-7BA
MKP-PLATE TYPE	MK-0505062	MK-0509309	MK-05144230	MK-0504893	MK-1700-7BA

Piston Size	Red Thunder Bonded Pistons	Imperial Piston	Imperial Rubber Kits	Rubber Bonded	Long Life (Urethane)
4"	MK-RT-400	MK-I40HK14/15	MK-I40HK	MK-RB-400	MK-LL-400
4½"	MK-RT-440	MK-I44HK14/15	MK-I44HK	MK-RB-440	MK-LL-440
5"	MK-RT-500	MK-I50HB14/15	MK-I50HB	MK-RB-500	MK-LL-500
5½"	MK-RT-540	MK-I54HB14/15	MK-I54HB	MK-RB-540	MK-LL-540
6"	MK-RT-600	MK-I60HB14/15	MK-I60HB	MK-RB-600	MK-LL-600
6½"	MK-RT-640	MK-I64HL14/15	MK-I64HL	MK-RB-640	MK-LL-640
7"	MK-RT-700	MK-I70HL14/15	MK-I70HL	MK-RB-700	MK-LL-700

* ¼ Size are available upon request

RODS					
	PISTON ROD	SUB ROD	EXTENSION ROD	ROD CLAMP	PISTON ROD NUT
CLAMP TYPE	MK-0200	N/A	MK-16-0200	MK-24-0200	MK-7403364
THREAD TYPE	MK-0201	N/A	MK-16-0201	N/A	MK-7403364

IDECO

7 × 8

T-500

Liners & Liner Packing		
SIZES	LINER	LINER PACKING
4"	MK-0234-40	MKG-0783
4½"	MK-0234-44	MKG-0783
5"	MK-0234-50	MKG-0783
5½"	MK-0234-54	MKG-0783
6"	MK-0234-60	MKG-0783
6¼"	MK-0234-62	MKG-0783
6½"	MK-0234-64	MKG-0783
6¾"	MK-0234-66	MKG-0783
7"	MK-0234-70	MKG-0783

Gaskets	
Valve Cover Gasket	Cylinder Head Gasket
MKG-0783	MKG-0783

SERIES	VALVE	SEAT	SPRING	URETHANE INSERT	PULLER HEAD
MKP-4 WEB	MK-U5B-EH	MK-6ADD-B6	MK-5710-115	MK-UDD-6AB	MK-1700-6
MKP-4 WEB HIGH TEMP	MK-U5B-EHHT	MK-6ADD-B6	MK-5710-115	MK-UDD-6ABHT	MK-1700-6
MKP-FULL OPEN	MK-6FO-V1	MK-6FO-S1	MK-5710-115L	MK-6FO-SI	MK-1700-6FO
MKP-G2	MK-1560995	MK-1561380	MK-1560701	MK-1560587	MK-1700-6G2
MKP-ROUGHNECK	MK-RN6-V1	MK-RN6-S6	MK-5710-115L	MK-RN6-I	MK-1700-6FO
MKP-SW FULL OPEN	MK-773-1	MK-873-2	MK-950	MK-973	MK-1700-6SW
MKP-DOUBLE ANGLE	MK-0500119	MK-0520008	MK-05147900	MK-0515845	MK-1700-6BA
MKP-PLATE TYPE	MK-0505038	MK-0520008	MK-05144230	MK-0504890	MK-1700-6BA

Piston Size	Red Thunder Bonded Pistons	Imperial Piston	Imperial Rubber Kits	Rubber Bonded	Long Life (Urethane)
4"	MK-RT-400	MK-I40HK14/15	MK-I40HK	MK-RB-400	MK-LL-400
4½"	MK-RT-440	MK-I44HK14/15	MK-I44HK	MK-RB-440	MK-LL-440
5"	MK-RT-500	MK-I50HB14/15	MK-I50HB	MK-RB-500	MK-LL-500
5½"	MK-RT-540	MK-I54HB14/15	MK-I54HB	MK-RB-540	MK-LL-540
6"	MK-RT-600	MK-I60HB14/15	MK-I60HB	MK-RB-600	MK-LL-600
6½"	MK-RT-640	MK-I64HL14/15	MK-I64HL	MK-RB-640	MK-LL-640
7"	MK-RT-700	MK-I70HL14/15	MK-I70HL	MK-RB-700	MK-LL-700

* ¼ Size are available upon request

RODS					
	PISTON ROD	SUB ROD	EXTENSION ROD	ROD CLAMP	PISTON ROD NUT
PART NO.	MK-0237	N/A	MK-16-0237	MK-24-0237	MK-7403364

IDECO

7 × 9

T-800

Liners & Liner Packing		
SIZES	LINER	LINER PACKING
4"	MK-0230-40	MKG-0783
4½"	MK-0230-44	MKG-0783
5"	MK-0230-50	MKG-0783
5½"	MK-0230-54	MKG-0783
6"	MK-0230-60	MKG-0783
6¼"	MK-0230-62	MKG-0783
6½"	MK-0230-64	MKG-0783
6¾"	MK-0230-66	MKG-0783
7"	MK-0230-70	MKG-0783

Gaskets	
Valve Cover Gasket	Cylinder Head Gasket
MKG-0783	MKG-0783

SERIES	VALVE	SEAT	SPRING	URETHANE INSERT	PULLER HEAD
MKP-4 WEB	MK-U5B-EH	MK-6ADD-B6	MK-5710-115	MK-UDD-6AB	MK-1700-6
MKP-4 WEB HIGH TEMP	MK-U5B-EHHT	MK-6ADD-B6	MK-5710-115	MK-UDD-6ABHT	MK-1700-6
MKP-FULL OPEN	MK-6FO-V1	MK-6FO-S1	MK-5710-115L	MK-6FO-SI	MK-1700-6FO
MKP-G2	MK-1560995	MK-1561380	MK-1560701	MK-1560587	MK-1700-6G2
MKP-ROUGHNECK	MK-RN6-V1	MK-RN6-S6	MK-5710-115L	MK-RN6-I	MK-1700-6FO
MKP-SW FULL OPEN	MK-773-1	MK-873-2	MK-950	MK-973	MK-1700-6SW
MKP-DOUBLE ANGLE	MK-0500119	MK-0520008	MK-05147900	MK-0515845	MK-1700-6BA
MKP-PLATE TYPE	MK-0505038	MK-0520008	MK-05144230	MK-0504890	MK-1700-6BA

Piston Size	Red Thunder Bonded Pistons	Imperial Piston	Imperial Rubber Kits	Rubber Bonded	Long Life (Urethane)
4"	MK-RT-400	MK-I40HK14/15	MK-I40HK	MK-RB-400	MK-LL-400
4½"	MK-RT-440	MK-I44HK14/15	MK-I44HK	MK-RB-440	MK-LL-440
5"	MK-RT-500	MK-I50HB14/15	MK-I50HB	MK-RB-500	MK-LL-500
5½"	MK-RT-540	MK-I54HB14/15	MK-I54HB	MK-RB-540	MK-LL-540
6"	MK-RT-600	MK-I60HB14/15	MK-I60HB	MK-RB-600	MK-LL-600
6½"	MK-RT-640	MK-I64HL14/15	MK-I64HL	MK-RB-640	MK-LL-640
7"	MK-RT-700	MK-I70HL14/15	MK-I70HL	MK-RB-700	MK-LL-700

* ¼ Size are available upon request

RODS					
PART NO.	PISTON ROD	SUB ROD	EXTENSION ROD	ROD CLAMP	PISTON ROD NUT
	MK-0230	N/A	MK-16-0230	MK-24-0230	MK-7403364

IDECO

7 × 10

T-1000

Liners & Liner Packing		
SIZES	LINER	LINER PACKING
4"	MK-0230-40	MKG-0783
4½"	MK-0230-44	MKG-0783
5"	MK-0230-50	MKG-0783
5½"	MK-0230-54	MKG-0783
6"	MK-0230-60	MKG-0783
6¼"	MK-0230-62	MKG-0783
6½"	MK-0230-64	MKG-0783
6¾"	MK-0230-66	MKG-0783
7"	MK-0230-70	MKG-0783

Gaskets	
Valve Cover Gasket	Cylinder Head Gasket
MKG-0783	MKG-0783

SERIES	VALVE	SEAT	SPRING	URETHANE INSERT	PULLER HEAD
MKP-4 WEB	MK-U5B-EH	MK-6ADD-B6	MK-5710-115	MK-UDD-6AB	MK-1700-6
MKP-4 WEB HIGH TEMP	MK-U5B-EHHT	MK-6ADD-B6	MK-5710-115	MK-UDD-6ABHT	MK-1700-6
MKP-FULL OPEN	MK-6FO-V1	MK-6FO-S1	MK-5710-115L	MK-6FO-SI	MK-1700-6FO
MKP-G2	MK-1560995	MK-1561380	MK-1560701	MK-1560587	MK-1700-6G2
MKP-ROUGHNECK	MK-RN6-V1	MK-RN6-S6	MK-5710-115L	MK-RN6-I	MK-1700-6FO
MKP-SW FULL OPEN	MK-773-1	MK-873-2	MK-950	MK-973	MK-1700-6SW
MKP-DOUBLE ANGLE	MK-0500119	MK-0520008	MK-05147900	MK-0515845	MK-1700-6BA
MKP-PLATE TYPE	MK-0505038	MK-0520008	MK-05144230	MK-0504890	MK-1700-6BA

Piston Size	Red Thunder Bonded Pistons	Imperial Piston	Imperial Rubber Kits	Rubber Bonded	Long Life (Urethane)
4"	MK-RT-400	MK-I40HK14/15	MK-I40HK	MK-RB-400	MK-LL-400
4½"	MK-RT-440	MK-I44HK14/15	MK-I44HK	MK-RB-440	MK-LL-440
5"	MK-RT-500	MK-I50HB14/15	MK-I50HB	MK-RB-500	MK-LL-500
5½"	MK-RT-540	MK-I54HB14/15	MK-I54HB	MK-RB-540	MK-LL-540
6"	MK-RT-600	MK-I60HB14/15	MK-I60HB	MK-RB-600	MK-LL-600
6½"	MK-RT-640	MK-I64HL14/15	MK-I64HL	MK-RB-640	MK-LL-640
7"	MK-RT-700	MK-I70HL14/15	MK-I70HL	MK-RB-700	MK-LL-700

* ¼ Size are available upon request

RODS					
	PISTON ROD	SUB ROD	EXTENSION ROD	ROD CLAMP	PISTON ROD NUT
PART NO.	MK-0230	N/A	MK-16-0231	MK-24-0230	MK-7403364

IDECO

7½ × 12

T-1300

Liners & Liner Packing		
SIZES	LINER	LINER PACKING
4"	MK-0233-40	MKG-0782
4½"	MK-0233-44	MKG-0782
5"	MK-0233-50	MKG-0782
5½"	MK-0233-54	MKG-0782
6"	MK-0233-60	MKG-0782
6¼"	MK-0233-62	MKG-0782
6½"	MK-0233-64	MKG-0782
6¾"	MK-0233-66	MKG-0782
7"	MK-0233-70	MKG-0782
7½"	MK-0233-74	MKG-0782

Gaskets	
Valve Cover Gasket	Cylinder Head Gasket
MKG-0782	MKG-0782

SERIES	VALVE	SEAT	SPRING	URETHANE INSERT	PULLER HEAD
MKP-4 WEB	MK-U5C-EEF	MK-7DD-B1	MK-5710-115	MK-UDD-7B	MK-1700-7
MKP-4 WEB HIGH TEMP	MK-U5C-EEFHT	MK-7DD-B1	MK-5710-115	MK-UDD-7BHT	MK-1700-7
MKP-FULL OPEN	MK-7FO-V1	MK-7FO-S1	MK-5710-115L	MK-7FO-SI	MK-1700-7FO
MKP-G2	MK-1560985	MK-1561370	MK-1560702	MK-1560557	MK-1700-7G2
MKP-3 WEB	MK-202PZL482A	MK-202PZL039	MK-5710-115	MK-201PZL106	MK-1700-7R
MKP-ROUGHNECK	MK-RN7-V1	MK-RN7-S1	MK-5710-115L	MK-RN7-I	MK-1700-7FO
MKP-SW FULL OPEN	MK-777-7	MK-877-7	MK-951	MK-977	MK-1700-7SW
MKP-DOUBLE ANGLE	MK-0500110	MK-0509309	MK-05147900	MK-0514275	MK-1700-7BA

Piston Size	Red Thunder Bonded Pistons	Imperial Piston	Imperial Rubber Kits	Rubber Bonded	Long Life (Urethane)
4"	MK-RT-400	MK-I40HK14/15	MK-I40HK	MK-RB-400	MK-LL-400
4½"	MK-RT-440	MK-I44HK14/15	MK-I44HK	MK-RB-440	MK-LL-440
5"	MK-RT-500	MK-I50HB14/15	MK-I50HB	MK-RB-500	MK-LL-500
5½"	MK-RT-540	MK-I54HB14/15	MK-I54HB	MK-RB-540	MK-LL-540
6"	MK-RT-600	MK-I60HB14/15	MK-I60HB	MK-RB-600	MK-LL-600
6½"	MK-RT-640	MK-I64HL14/15	MK-I64HL	MK-RB-640	MK-LL-640
7"	MK-RT-700	MK-I70HL14/15	MK-I70HL	MK-RB-700	MK-LL-700
7½"	N/A	MK-I74HL14/15	MK-I74HL	MK-RB-740	MK-LL-740

* ¼ Size are available upon request

RODS					
	PISTON ROD	SUB ROD	EXTENSION ROD	ROD CLAMP	PISTON ROD NUT
PART NO.	MK-0233	N/A	MK-16-0233	MK-24-0233	MK-7403364

IDECO

7½ × 12

T-1600

Liners & Liner Packing		
SIZES	LINER	LINER PACKING
4"	MK-0233-40	MKG-0782
4½"	MK-0233-44	MKG-0782
5"	MK-0233-50	MKG-0782
5½"	MK-0233-54	MKG-0782
6"	MK-0233-60	MKG-0782
6¼"	MK-0233-62	MKG-0782
6½"	MK-0233-64	MKG-0782
6¾"	MK-0233-66	MKG-0782
7"	MK-0233-70	MKG-0782
7½"	MK-0233-74	MKG-0782

Gaskets	
Valve Cover Gasket	Cylinder Head Gasket
MKG-0782	MKG-0782

SERIES	VALVES	SEAT	SPRING	URETHANE INSERT	PULLER HEAD
MKP-4 WEB	MK-U5C-EEF	MK-7DD-B1	MK-5710-115	MK-UDD-7B	MK-1700-7
MKP-4 WEB HIGH TEMP	MK-U5C-EEFHT	MK-7DD-B1	MK-5710-115	MK-UDD-7BHT	MK-1700-7
MKP-FULL OPEN	MK-7FO-V1	MK-7FO-S1	MK-5710-115L	MK-7FO-SI	MK-1700-7FO
MKP-G2	MK-1560985	MK-1561370	MK-1560702	MK-1560557	MK-1700-7G2
MKP-3 WEB	MK-202PZL482A	MK-202PZL039	MK-5710-115	MK-201PZL106	MK-1700-7R
MKP-ROUGHNECK	MK-RN7-V1	MK-RN7-S1	MK-5710-115L	MK-RN7-I	MK-1700-7FO
MKP-SW FULL OPEN	MK-777-7	MK-877-7	MK-951	MK-977	MK-1700-7SW
MKP-DOUBLE ANGLE	MK-0500110	MK-0509309	MK-05147900	MK-0514275	MK-1700-7BA
MKP-PLATE TYPE	MK-0505062	MK-0509309	MK-05144230	MK-0504893	MK-1700-7BA

Piston Size	Red Thunder Bonded Pistons	Imperial Piston	Imperial Rubber Kits	Rubber Bonded	Long Life (Urethane)
4"	MK-RT-400	MK-I40HK14/15	MK-I40HK	MK-RB-400	MK-LL-400
4½"	MK-RT-440	MK-I44HK14/15	MK-I44HK	MK-RB-440	MK-LL-440
5"	MK-RT-500	MK-I50HB14/15	MK-I50HB	MK-RB-500	MK-LL-500
5½"	MK-RT-540	MK-I54HB14/15	MK-I54HB	MK-RB-540	MK-LL-540
6"	MK-RT-600	MK-I60HB14/15	MK-I60HB	MK-RB-600	MK-LL-600
6½"	MK-RT-640	MK-I64HL14/15	MK-I64HL	MK-RB-640	MK-LL-640
7"	MK-RT-700	MK-I70HL14/15	MK-I70HL	MK-RB-700	MK-LL-700
7½"	N/A	MK-I74HL14/15	MK-I74HL	MK-RB-740	MK-LL-740

* ¼ Size are available upon request

RODS					
	PISTON ROD	SUB ROD	EXTENSION ROD	ROD CLAMP	PISTON ROD NUT
PART NO.	MK-0233	N/A	MK-16-0233	MK-24-0233	MK-7403364

OILWELL

7 × 8

A-560-PT

Liners & Liner Packing		
SIZES	LINER	LINER PACKING
4"	MK-0287-40	MKG-0753
4½"	MK-0287-44	MKG-0754
5"	MK-0287-50	MKG-0742
5½"	MK-0287-54	MKG-0743
6"	MK-0287-60	MKG-0745
6¼"	MK-0287-62	MKG-0770
6½"	MK-0287-64	MKG-0746
6¾"	MK-0287-66	MKG-0755
7"	MK-0287-70	MKG-0756

Gaskets	
Valve Cover Gasket	Cylinder Head Gasket
MKG-0732	N/A

SERIES	VALVE	SEAT	SPRING	URETHANE INSERT	PULLER HEAD
MKP-4 WEB	MK-U5B-EH	MK-6ADD-B6	MK-5710-115	MK-UDD-6AB	MK-1700-6
MKP-4 WEB HIGH TEMP	MK-U5B-EHHT	MK-6ADD-B6	MK-5710-115	MK-UDD-6ABHT	MK-1700-6
MKP-FULL OPEN	MK-6FO-V1	MK-6FO-S1	MK-5710-115L	MK-6FO-SI	MK-1700-6FO
MKP-G2	MK-1560995	MK-1561380	MK-1560701	MK-1560587	MK-1700-6G2
MKP-ROUGHNECK	MK-RN6-V1	MK-RN6-S6	MK-5710-115L	MK-RN6-I	MK-1700-6FO

Piston Size	Red Thunder Bonded Pistons	Imperial Piston	Imperial Rubber Kits	Rubber Bonded	Long Life (Urethane)
4"	MK-RT-400	MK-140HK14/15	MK-140HK	MK-RB-400	MK-LL-400
4½"	MK-RT-440	MK-144HK14/15	MK-144HK	MK-RB-440	MK-LL-440
5"	MK-RT-500	MK-150HB14/15	MK-150HB	MK-RB-500	MK-LL-500
5½"	MK-RT-540	MK-154HB14/15	MK-154HB	MK-RB-540	MK-LL-540
6"	MK-RT-600	MK-160HB14/15	MK-160HB	MK-RB-600	MK-LL-600
6½"	MK-RT-640	MK-164HL14/15	MK-164HL	MK-RB-640	MK-LL-640
7"	MK-RT-700	MK-170HL14/15	MK-170HL	MK-RB-700	MK-LL-700

* ¼ Size are available upon request

RODS						
	PISTON ROD	SUB ROD	CONNECTING ROD	EXTENSION ROD	ROD CLAMP	PISTON ROD NUT
PART NO.	MK-0283-C	MK-0283-A	MK-0283-D	MK-16-0283	MK-24-0283	MK-7403364

OILWELL

7 × 8

A-350/600-PT

Liners & Liner Packing		
SIZES	LINER	LINER PACKING
4"	MK-0287-40	MKG-0753
4½"	MK-0287-44	MKG-0754
5"	MK-0287-50	MKG-0742
5½"	MK-0287-54	MKG-0743
6"	MK-0287-60	MKG-0745
6¼"	MK-0287-62	MKG-0770
6½"	MK-0287-64	MKG-0746
6¾"	MK-0287-66	MKG-0755
7"	MK-0287-70	MKG-0756

Gaskets	
Valve Cover Gasket	Cylinder Head Gasket
MKG-0732	N/A

SERIES	VALVE	SEAT	SPRING	URETHANE INSERT	PULLER HEAD
MKP-4 WEB	MK-U5B-EH	MK-6ADD-B6	MK-5710-111	MK-UDD-6AB	MK-1700-6
MKP-4 WEB HIGH TEMP	MK-U5B-EHHT	MK-6ADD-B6	MK-5710-111	MK-UDD-6ABHT	MK-1700-6
MKP-FULL OPEN	MK-6FO-V1	MK-6FO-S1	MK-5710-115	MK-6FO-SI	MK-1700-6FO
MKP-G2	MK-1560995	MK-1561380	MK-1560701	MK-1560587	MK-1700-6G2
MKP-ROUGHNECK	MK-RN6-V1	MK-RN6-S6	MK-5710-111	MK-RN6-I	MK-1700-6FO

Piston Size	Red Thunder Bonded Pistons	Imperial Piston	Imperial Rubber Kits	Rubber Bonded	Long Life (Urethane)
4"	MK-RT-400	MK-I40HK14/15	MK-I40HK	MK-RB-400	MK-LL-400
4½"	MK-RT-440	MK-I44HK14/15	MK-I44HK	MK-RB-440	MK-LL-440
5"	MK-RT-500	MK-I50HB14/15	MK-I50HB	MK-RB-500	MK-LL-500
5½"	MK-RT-540	MK-I54HB14/15	MK-I54HB	MK-RB-540	MK-LL-540
6"	MK-RT-600	MK-I60HB14/15	MK-I60HB	MK-RB-600	MK-LL-600
6½"	MK-RT-640	MK-I64HL14/15	MK-I64HL	MK-RB-640	MK-LL-640
7"	MK-RT-700	MK-I70HL14/15	MK-I70HL	MK-RB-700	MK-LL-700

* ¼ Size are available upon request

RODS						
	PISTON ROD	SUB ROD	CONNECTING ROD	EXTENSION ROD	ROD CLAMP	PISTON ROD NUT
PART NO.	MK-0283-C	MK-0283-B	MK-0283-D	MK-16-0282	MK-24-0284	MK-7403364



MUD PUMP EXPENDABLES

TRIPLEX FLUID END PARTS

OILWELL

7½ × 9

A-850-PT

Liners & Liner Packing		
SIZES	LINER	LINER PACKING
4"	MK-0289-40	MKG-0753
4½"	MK-0289-44	MKG-0754
5"	MK-0289-50	MKG-0742
5½"	MK-0289-54	MKG-0743
6"	MK-0289-60	MKG-0745
6¼"	MK-0289-62	MKG-0770
6½"	MK-0289-64	MKG-0746
6¾"	MK-0289-66	MKG-0755
7"	MK-0289-70	MKG-0756
7¼"	MK-0289-72	MKG-0757
7½"	MK-0289-74	MKG-0758

Gaskets	
Valve Cover Gasket	Cylinder Head Gasket
MKG-0760	N/A

*Also available in small OD, MK-0285-XX

SERIES	VALVE	SEAT	SPRING	URETHANE INSERT	PULLER HEAD
MKP-4 WEB	MK-U5C-EEF	MK-7DD-B1	MK-5710-110	MK-UDD-7B	MK-1700-7
MKP-4 WEB HIGH TEMP	MK-U5C-EEFHT	MK-7DD-B1	MK-5710-110	MK-UDD-7BHT	MK-1700-7
MKP-FULL OPEN	MK-7FO-V1	MK-7FO-S1	MK-5710-115L	MK-7FO-SI	MK-1700-7FO
MKP-G2	MK-1560985	MK-1561370	MK-1560702	MK-1560557	MK-1700-7G2
MKP-3 WEB	MK-202PZL482A	MK-202PZL039	MK-5710-110	MK-201PZL106	MK-1700-7R
MKP-ROUGHNECK	MK-RN7-V1	MK-RN7-S1	MK-5710-110L	MK-RN7-I	MK-1700-7FO
MKP-SW FULL OPEN	MK-777-7	MK-877-7	MK-951	MK-977	MK-1700-7SW
MKP-DOUBLE ANGLE	MK-0500110	MK-0509309	MK-05147900	MK-0514275	MK-1700-7BA
MKP-PLATE TYPE	MK-0505062	MK-0509309	MK-05144230	MK-0504893	MK-1700-7BA

Piston Size	Red Thunder Bonded Pistons	Imperial Piston	Imperial Rubber Kits	Rubber Bonded	Long Life (Urethane)
4"	MK-RT-400	MK-I40HK14/15	MK-I40HK	MK-RB-400	MK-LL-400
4½"	MK-RT-440	MK-I44HK14/15	MK-I44HK	MK-RB-440	MK-LL-440
5"	MK-RT-500	MK-I50HB14/15	MK-I50HB	MK-RB-500	MK-LL-500
5½"	MK-RT-540	MK-I54HB14/15	MK-I54HB	MK-RB-540	MK-LL-540
6"	MK-RT-600	MK-I60HB14/15	MK-I60HB	MK-RB-600	MK-LL-600
6½"	MK-RT-640	MK-I64HL14/15	MK-I64HL	MK-RB-640	MK-LL-640
7"	MK-RT-700	MK-I70HL14/15	MK-I70HL	MK-RB-700	MK-LL-700
7½"	N/A	MK-I74HL14/15	MK-I74HL	N/A	N/A

* ¼ Size are available upon request

RODS						
	PISTON ROD	SUB ROD	CONNECTING ROD	EXTENSION ROD	ROD CLAMP	PISTON ROD NUT
PART NO.	MK-0283-C	MK-0283-A	MK-0283-D	MK-16-0284	MK-24-0284	MK-7403364

OILWELL

7½ × 10

A-1100-PT

Liners & Liner Packing		
SIZES	LINER	LINER PACKING
4"	MK-0289-40	MKG-0753
4½"	MK-0289-44	MKG-0754
5"	MK-0289-50	MKG-0742
5½"	MK-0289-54	MKG-0743
6"	MK-0289-60	MKG-0745
6¼"	MK-0289-62	MKG-0770
6½"	MK-0289-64	MKG-0746
6¾"	MK-0289-66	MKG-0755
7"	MK-0289-70	MKG-0756
7¼"	MK-0289-72	MKG-0757
7½"	MK-0289-74	MKG-0758

Gaskets	
Valve Cover Gasket	Cylinder Head Gasket
MKG-0760	N/A

*Also available in small OD, MK-0285-XX

SERIES	VALVE	SEAT	SPRING	URETHANE INSERT	PULLER HEAD
MKP-4 WEB	MK-U5C-EEF	MK-7DD-B1	MK-5710-110	MK-UDD-7B	MK-1700-7
MKP-4 WEB HIGH TEMP	MK-U5C-EEFHT	MK-7DD-B1	MK-5710-110	MK-UDD-7BHT	MK-1700-7
MKP-FULL OPEN	MK-7FO-V1	MK-7FO-S1	MK-5710-115L	MK-7FO-SI	MK-1700-7FO
MKP-G2	MK-1560985	MK-1561370	MK-1560702	MK-1560557	MK-1700-7G2
MKP-3 WEB	MK-202PZL482A	MK-202PZL039	MK-5710-110	MK-201PZL106	MK-1700-7R
MKP-ROUGHNECK	MK-RN7-V1	MK-RN7-S1	MK-5710-110L	MK-RN7-I	MK-1700-7FO
MKP-SW FULL OPEN	MK-777-7	MK-877-7	MK-951	MK-977	MK-1700-7SW
MKP-DOUBLE ANGLE	MK-0500110	MK-0509309	MK-05147900	MK-0514275	MK-1700-7BA
MKP-PLATE TYPE	MK-0505062	MK-0509309	MK-05144230	MK-0504893	MK-1700-7BA

Piston Size	Red Thunder Bonded Pistons	Imperial Piston	Imperial Rubber Kits	Rubber Bonded	Long Life (Urethane)
4"	MK-RT-400	MK-I40HK14/15	MK-I40HK	MK-RB-400	MK-LL-400
4½"	MK-RT-440	MK-I44HK14/15	MK-I44HK	MK-RB-440	MK-LL-440
5"	MK-RT-500	MK-I50HB14/15	MK-I50HB	MK-RB-500	MK-LL-500
5½"	MK-RT-540	MK-I54HB14/15	MK-I54HB	MK-RB-540	MK-LL-540
6"	MK-RT-600	MK-I60HB14/15	MK-I60HB	MK-RB-600	MK-LL-600
6½"	MK-RT-640	MK-I64HL14/15	MK-I64HL	MK-RB-640	MK-LL-640
7"	MK-RT-700	MK-I70HL14/15	MK-I70HL	MK-RB-700	MK-LL-700
7½"	N/A	MK-I74HL14/15	MK-I74HL	N/A	N/A

* ¼ Size are available upon request

RODS						
	PISTON ROD	SUB ROD	CONNECTING ROD	EXTENSION ROD	ROD CLAMP	PISTON ROD NUT
PART NO.	MK-0283-C	MK-0283-A	MK-0283-D	MK-16-0284	MK-24-0284	MK-7403364



MUD PUMP EXPENDABLES

TRIPLEX FLUID END PARTS

OILWELL

7½ × 10

A-1400-PT

Liners & Liner Packing		
SIZES	LINER	LINER PACKING
4"	MK-0284-40	MKG-0753
4½"	MK-0284-44	MKG-0754
5"	MK-0284-50	MKG-0742
5½"	MK-0284-54	MKG-0743
6"	MK-0284-60	MKG-0745
6¼"	MK-0284-62	MKG-0770
6½"	MK-0284-64	MKG-0746
6¾"	MK-0284-66	MKG-0755
7"	MK-0284-70	MKG-0756
7¼"	MK-0284-72	MKG-0757
7½"	MK-0284-74	MKG-0758

Gaskets	
Valve Cover Gasket	Cylinder Head Gasket
MKG-0760	N/A

*Also available in small OD, MK-0283-XX

SERIES	VALVE	SEAT	SPRING	URETHANE INSERT	PULLER HEAD
MKP-4 WEB	MK-U5C-EEF	MK-7DD-B1	MK-5710-110	MK-UDD-7B	MK-1700-7
MKP-4 WEB HIGH TEMP	MK-U5C-EEFHT	MK-7DD-B1	MK-5710-110	MK-UDD-7BHT	MK-1700-7
MKP-FULL OPEN	MK-7FO-V1	MK-7FO-S1	MK-5710-115L	MK-7FO-SI	MK-1700-7FO
MKP-G2	MK-1560985	MK-1561370	MK-1560702	MK-1560557	MK-1700-7G2
MKP-3 WEB	MK-202PZL482A	MK-202PZL039	MK-5710-110	MK-201PZL106	MK-1700-7R
MKP-ROUGHNECK	MK-RN7-V1	MK-RN7-S1	MK-5710-110L	MK-RN7-I	MK-1700-7FO
MKP-SW FULL OPEN	MK-777-7	MK-877-7	MK-951	MK-977	MK-1700-7SW
MKP-DOUBLE ANGLE	MK-0500110	MK-0509309	MK-05147900	MK-0514275	MK-1700-7BA
MKP-PLATE TYPE	MK-0505062	MK-0509309	MK-05144230	MK-0504893	MK-1700-7BA

Piston Size	Red Thunder Bonded Pistons	Imperial Piston	Imperial Rubber Kits	Rubber Bonded	Long Life (Urethane)
4"	MK-RT-400	MK-I40HK14/15	MK-I40HK	MK-RB-400	MK-LL-400
4½"	MK-RT-440	MK-I44HK14/15	MK-I44HK	MK-RB-440	MK-LL-440
5"	MK-RT-500	MK-I50HB14/15	MK-I50HB	MK-RB-500	MK-LL-500
5½"	MK-RT-540	MK-I54HB14/15	MK-I54HB	MK-RB-540	MK-LL-540
6"	MK-RT-600	MK-I60HB14/15	MK-I60HB	MK-RB-600	MK-LL-600
6½"	MK-RT-640	MK-I64HL14/15	MK-I64HL	MK-RB-640	MK-LL-640
7"	MK-RT-700	MK-I70HL14/15	MK-I70HL	MK-RB-700	MK-LL-700
7½"	N/A	MK-I74HL14/15	MK-I74HL	N/A	N/A

* ¼ Size are available upon request

RODS						
	PISTON ROD	SUB ROD	CONNECTING ROD	EXTENSION ROD	ROD CLAMP	PISTON ROD NUT
PART NO.	MK-0283-C	MK-0283-A	MK-0283-D	MK-16-0284	MK-24-0284	MK-7403364

OILWELL

7½ × 12

A-1700-PT

Liners & Liner Packing		
SIZES	LINER	LINER PACKING
4"	MK-0284-40	MKG-0753
4½"	MK-0284-44	MKG-0754
5"	MK-0284-50	MKG-0742
5½"	MK-0284-54	MKG-0743
6"	MK-0284-60	MKG-0745
6¼"	MK-0284-62	MKG-0770
6½"	MK-0284-64	MKG-0746
6¾"	MK-0284-66	MKG-0755
7"	MK-0284-70	MKG-0756
7¼"	MK-0284-72	MKG-0757
7½"	MK-0284-74	MKG-0758

Gaskets	
Valve Cover Gasket	Cylinder Head Gasket
MKG-0760	N/A

*Also available in small OD, MK-0283-XX

SERIES	VALVE	SEAT	SPRING	URETHANE INSERT	PULLER HEAD
MKP-4 WEB	MK-U5C-EEF	MK-7DD-B1	MK-5710-110	MK-UDD-7B	MK-1700-7
MKP-4 WEB HIGH TEMP	MK-U5C-EEFHT	MK-7DD-B1	MK-5710-110	MK-UDD-7BHT	MK-1700-7
MKP-FULL OPEN	MK-7FO-V1	MK-7FO-S1	MK-5710-115L	MK-7FO-SI	MK-1700-7FO
MKP-G2	MK-1560985	MK-1561370	MK-1560702	MK-1560557	MK-1700-7G2
MKP-3 WEB	MK-202PZL482A	MK-202PZL039	MK-5710-110	MK-201PZL106	MK-1700-7R
MKP-ROUGHNECK	MK-RN7-V1	MK-RN7-S1	MK-5710-110L	MK-RN7-I	MK-1700-7FO
MKP-SW FULL OPEN	MK-777-7	MK-877-7	MK-951	MK-977	MK-1700-7SW
MKP-DOUBLE ANGLE	MK-0500110	MK-0509309	MK-05147900	MK-0514275	MK-1700-7BA
MKP-PLATE TYPE	MK-0505062	MK-0509309	MK-05144230	MK-0504893	MK-1700-7BA

Piston Size	Red Thunder Bonded Pistons	Imperial Piston	Imperial Rubber Kits	Rubber Bonded	Long Life (Urethane)
4"	MK-RT-400	MK-I40HK14/15	MK-I40HK	MK-RB-400	MK-LL-400
4½"	MK-RT-440	MK-I44HK14/15	MK-I44HK	MK-RB-440	MK-LL-440
5"	MK-RT-500	MK-I50HB14/15	MK-I50HB	MK-RB-500	MK-LL-500
5½"	MK-RT-540	MK-I54HB14/15	MK-I54HB	MK-RB-540	MK-LL-540
6"	MK-RT-600	MK-I60HB14/15	MK-I60HB	MK-RB-600	MK-LL-600
6½"	MK-RT-640	MK-I64HL14/15	MK-I64HL	MK-RB-640	MK-LL-640
7"	MK-RT-700	MK-I70HL14/15	MK-I70HL	MK-RB-700	MK-LL-700
7½"	N/A	MK-I74HL14/15	MK-I74HL	N/A	N/A

* ¼ Size are available upon request

RODS						
	PISTON ROD	SUB ROD	CONNECTING ROD	EXTENSION ROD	ROD CLAMP	PISTON ROD NUT
PART NO.	MK-0283-C	MK-0283-A	MK-0283-D	MK-16-0284	MK-24-0284	MK-7403364

NATIONAL

4½ × 5

JWS165/340

Liners & Liner Packing		
SIZES	LINER	LINER PACKING
3"	MK-0240-30	MK-1712064
3½"	MK-0240-34	MK-1712064
4"	MK-0240-40	MK-1712064
4½"	MK-0240-44	MK-1712064

Gaskets	
JWS165	MK-2410031-429
JWS340	MK-1718265

SERIES	MKP – G2	MKP – G2
	SUCTION	DISCHARGE
VALVE (Urethane Insert)	MK-1561575	MK-1561575
VALVE (Rubber Insert)	N/A	N/A
VALVE SEAT	MK-1561571	MK-1561572
VALVE SPRING	MK-1712211	MK-1712206
VALVE INSERT (Urethane)	MK-1561577	MK-1561577
VALVE INSERT (Red Thunder)	N/A	N/A
VALVE INSERT (Rubber)	N/A	N/A
VALVE SEAT PULLER HEAD	N/A	N/A

Piston Size	Red Thunder Bonded Pistons	Imperial Piston	Imperial Rubber Kits	Rubber Bonded	Long Life (Urethane)
3"	N/A	MK-I30HA10	MK-I30HA	N/A	N/A
3½"	N/A	MK-I34HK10	MK-I34HK	N/A	N/A
4"	MK-RT-400-10	MK-I40HK10	MK-I40HB	MK-RB-400-10	MK-LL-400-10
4½"	MK-RT-440-10	MK-I44HK10	MK-I44HK	MK-RB-440-10	MK-LL-440-10

* ¼ Size are available upon request

RODS					
	PISTON ROD	SUB ROD	EXTENSION ROD	ROD CLAMP	PISTON ROD NUT
ONE PIECE	MK-0238		MK-16-0238	MK-24-0238	MK-7403224

NATIONAL

5½ × 7

JWS400

Liners & Liner Packing		
SIZES	LINER	LINER PACKING
4"	MK-0237-40	MKG-0272
4½"	MK-0237-44	MKG-0274
5"	MK-0237-50	MKG-0276
5½"	MK-0237-54	MKG-0278

Gaskets	
Valve Cover Gasket	Cylinder Head Gasket
MK-1715146	N/A

SERIES	MKP – G2	MKP – G2
	SUCTION	DISCHARGE
VALVE (Urethane Insert)	MK-1561575	MK-1561575
VALVE (Rubber Insert)	N/A	N/A
VALVE SEAT	MK-1561561	MK-1561569
VALVE SPRING	MK-1560698	MK-1717296
VALVE INSERT (Urethane)	MK-1561577	MK-1561577
VALVE INSERT (Red Thunder)	N/A	N/A
VALVE INSERT (Rubber)	N/A	N/A
VALVE SEAT PULLER HEAD	N/A	N/A

Piston Size	Red Thunder Bonded Pistons	Imperial Piston	Imperial Rubber Kits	Rubber Bonded	Long Life (Urethane)
4"	MK-RT-400-10	MK-I40HK10	MK-I40HK	MK-RB-400-10	MK-LL-400-10
4½"	MK-RT-440-10	MK-I44HK10	MK-I44HK	MK-RB-440-10	MK-LL-440-10
5"	MK-RT-500-10	MK-I50HB10	MK-I50HB	MK-RB-500-10	MK-LL-500-10
5½"	MK-RT-540-10	MK-I54HB10	MK-I54HB	MK-RB-540-10	MK-LL-540-10

* ¼ Size are available upon request

RODS					
	PISTON ROD	SUB ROD	EXTENSION ROD	ROD CLAMP	PISTON ROD NUT
PART NO.	MK-2239-A	MK-2239-B	MK-16-2239	MK-24-2239	MK-7403224

NATIONAL

6¼ × 7¾

7-P-50

Liners & Liner Packing		
SIZES	LINER	LINER PACKING
4"	MK-0257-40	MKG-0272
4½"	MK-0257-44	MKG-0274
5"	MK-0257-50	MKG-0276
5½"	MK-0257-54	MKG-0278
6"	MK-0257-60	MKG-0280
6¼"	MK-0257-62	MKG-0268

Gaskets	
Valve Cover Gasket	Cylinder Head Gasket
MK-61-0253	N/A

SERIES	VALVE	SEAT	SPRING	URETHANE INSERT	PULLER HEAD
MKP-4 WEB	MK-U5B-05	MK-5DD-B3	MK-5710-111	MK-UDD-5B	MK-1700-5
MKP-FULL OPEN	MK-5DFO-V1	MK-5DFO-S3	MK-5710-030	MK-5DFO-SI	MK-1700-5FO
MKP-DOUBLE ANGLE	MK-0500117	MK-0515745	MK-05147900	MK-0515844	MK-1700-5BA
MKP-PLATE TYPE	MK-0504991	MK-0515745	MK-05144230	MK-0504888	MK-1700-5BA

Piston Size	Red Thunder Bonded Pistons	Imperial Piston	Imperial Rubber Kits	Rubber Bonded	Long Life (Urethane)
4"	MK-RT-400	MK-I40HK14/15	MK-I40HK	MK-RB-400	MK-LL-400
4½"	MK-RT-440	MK-I44HK14/15	MK-I44HK	MK-RB-440	MK-LL-440
5"	MK-RT-500	MK-I50HB14/15	MK-I50HB	MK-RB-500	MK-LL-500
5½"	MK-RT-540	MK-I54HB14/15	MK-I54HB	MK-RB-540	MK-LL-540
6"	MK-RT-600	MK-I60HB14/15	MK-I60HB	MK-RB-600	MK-LL-600

* ¼ Size are available upon request

RODS					
	PISTON ROD	SUB ROD	EXTENSION ROD	ROD CLAMP	PISTON ROD NUT
PART NO.	MK-0257-A	MK-0257-B	MK-16-0257	MK-24-0257	MK-7403364

NATIONAL

6½ × 8½

8-P-80

Liners & Liner Packing		
SIZES	LINER	LINER PACKING
4"	MK-0256-40	MKG-0272
4½"	MK-0256-44	MKG-0274
5"	MK-0256-50	MKG-0276
5½"	MK-0256-54	MKG-0278
6"	MK-0256-60	MKG-0280
6¼"	MK-0256-62	MKG-0268
6½"	MK-0256-64	MKG-0268

Gaskets	
Valve Cover Gasket	Cylinder Head Gasket
MK-61-0255	N/A

SERIES	VALVE	SEAT	SPRING	URETHANE INSERT	PULLER HEAD
MKP-4 WEB	MK-U5B-EH	MK-6ADD-B4	MK-5710-115	MK-UDD-6AB	MK-1700-6
MKP-4 WEB HIGH TEMP	MK-U5B-EHHT	MK-6ADD-B4	MK-5710-115	MK-UDD-6ABHT	MK-1700-6
MKP-FULL OPEN	MK-6FO-V1	MK-6FO-S4	MK-5710-115	MK-6FO-SI	MK-1700-6FO
MKP-G2	MK-1560995	MK-1561450	MK-1560701	MK-1560587	MK-1700-6G2
MKP-ROUGHNECK	MK-RN6-V1	MK-RN6-S4	MK-5710-115L	MK-RN6-I	MK-1700-6FO
MKP-SW FULL OPEN	MK-773-1	MK-873-1	MK-951	MK-973	MK-1700-6SW
MKP-DOUBLE ANGLE	MK-0500119	MK-0512436	MK-05147900	MK-0515845	MK-1700-6BA
MKP-PLATE TYPE	MK-0505038	MK-0512436	MK-05155760	MK-0504890	MK-1700-6BA

Piston Size	Red Thunder Bonded Pistons	Imperial Piston	Imperial Rubber Kits	Rubber Bonded	Long Life (Urethane)
4"	MK-RT-400	MK-I40HK14/15	MK-I40HK	MK-RB-400	MK-LL-400
4½"	MK-RT-440	MK-I44HK14/15	MK-I44HK	MK-RB-440	MK-LL-440
5"	MK-RT-500	MK-I50HB14/15	MK-I50HB	MK-RB-500	MK-LL-500
5½"	MK-RT-540	MK-I54HB14/15	MK-I54HB	MK-RB-540	MK-LL-540
6"	MK-RT-600	MK-I60HB14/15	MK-I60HB	MK-RB-600	MK-LL-600
6½"	MK-RT-640	MK-I64HB14/15	MK-I64HB	MK-RB-640	MK-LL-640

* ¼ Size are available upon request

RODS					
	PISTON ROD	SUB ROD	EXTENSION ROD	ROD CLAMP	PISTON ROD NUT
PART NO.	MK-0259-A	MK-0259-B	MK-16-0259	MK-24-0259	MK-7403364

NATIONAL

6¾ × 9¼

9-P-100

Liners & Liner Packing		
SIZES	LINER	LINER PACKING
	PART NO.	PART NO.
4"	N/A	N/A
4½"	MK-0255-44	MKG-0274
5"	MK-0255-50	MKG-0265
5½"	MK-0255-54	MKG-0263
6"	MK-0255-60	MKG-0261
6¼"	MK-0255-62	MKG-0283
6½"	MK-0255-64	MKG-0768
6¾"	MK-0255-66	MKG-0768

Gaskets	
Valve Cover Gasket	Cylinder Head Gasket
PART NO.	PART NO.
MK-61-0255	N/A

SERIES	VALVE	SEAT	SPRING	URETHANE INSERT	PULLER HEAD
MKP-4 WEB	MK-U5B-EH	MK-6ADD-B4	MK-5710-115	MK-UDD-6AB	MK-1700-6
MKP-4 WEB HIGH TEMP	MK-U5B-EHHT	MK-6ADD-B4	MK-5710-115	MK-UDD-6ABHT	MK-1700-6
MKP-FULL OPEN	MK-6FO-V1	MK-6FO-S4	MK-5710-115	MK-6FO-SI	MK-1700-6FO
MKP-G2	MK-1560995	MK-1561450	MK-1560701	MK-1560587	MK-1700-6G2
MKP-ROUGHNECK	MK-RN6-V1	MK-RN6-S4	MK-5710-115L	MK-RN6-I	MK-1700-6FO
MKP-SW FULL OPEN	MK-773-1	MK-873-1	MK-951	MK-973	MK-1700-6SW
MKP-DOUBLE ANGLE	MK-0500119	MK-0512436	MK-05147900	MK-0515845	MK-1700-6BA
MKP-PLATE TYPE	MK-0505038	MK-0512436	MK-05155760	MK-0504890	MK-1700-6BA

Piston Size	Red Thunder Bonded Pistons	Imperial Piston	Imperial Rubber Kits	Rubber Bonded	Long Life (Urethane)
4"	MK-RT-400	MK-I40HK14/15	MK-I40HK	MK-RB-400	MK-LL-400
4½"	MK-RT-440	MK-I44HK14/15	MK-I44HK	MK-RB-440	MK-LL-440
5"	MK-RT-500	MK-I50HB14/15	MK-I50HB	MK-RB-500	MK-LL-500
5½"	MK-RT-540	MK-I54HB14/15	MK-I54HB	MK-RB-540	MK-LL-540
6"	MK-RT-600	MK-I60HB14/15	MK-I60HB	MK-RB-600	MK-LL-600
6½"	MK-RT-640	MK-I64HL14/15	MK-I64HL	MK-RB-640	MK-LL-640

* ¼ Size are available upon request

RODS					
	PISTON ROD	SUB ROD	EXTENSION ROD	ROD CLAMP	PISTON ROD NUT
PART NO.	MK-0260-A	MK-0260-B	MK-16-0260	MK-24-0260	MK-7403364



MUD PUMP EXPENDABLES

TRIPLEX FLUID END PARTS

NATIONAL

6¾ × 10

10-P-130

Liners & Liner Packing		
SIZES	LINER	LINER PACKING
4"	N/A	N/A
4½"	MK-0255-44	MKG-0274
5"	MK-0255-50	MKG-0265
5½"	MK-0255-54	MKG-0263
6"	MK-0255-60	MKG-0261
6¼"	MK-0255-62	MKG-0283
6½"	MK-0255-64	MKG-0768
6¾"	MK-0255-66	MKG-0768

Gaskets	
Valve Cover Gasket	Cylinder Head Gasket
MK-61-0255	N/A

SERIES	VALVE	SEAT	SPRING	URETHANE INSERT	PULLER HEAD
MKP-4 WEB	MK-U5B-EH	MK-6ADD-B4	MK-5710-115	MK-UDD-6AB	MK-1700-6
MKP-4 WEB HIGH TEMP	MK-U5B-EHHT	MK-6ADD-B4	MK-5710-115	MK-UDD-6ABHT	MK-1700-6
MKP-FULL OPEN	MK-6FO-V1	MK-6FO-S4	MK-5710-115	MK-6FO-SI	MK-1700-6FO
MKP-G2	MK-1560995	MK-1561450	MK-1560701	MK-1560587	MK-1700-6G2
MKP-ROUGHNECK	MK-RN6-V1	MK-RN6-S4	MK-5710-115L	MK-RN6-I	MK-1700-6FO
MKP-SW FULL OPEN	MK-773-1	MK-873-1	MK-951	MK-973	MK-1700-6SW
MKP-DOUBLE ANGLE	MK-0500119	MK-0512436	MK-05147900	MK-0515845	MK-1700-6BA
MKP-PLATE TYPE	MK-0505038	MK-0512436	MK-05155760	MK-0504890	MK-1700-6BA

Piston Size	Red Thunder Bonded Pistons	Imperial Piston	Imperial Rubber Kits	Rubber Bonded	Long Life (Urethane)
4"	MK-RT-400	MK-I40HK14/15	MK-I40HK	MK-RB-400	MK-LL-400
4½"	MK-RT-440	MK-I44HK14/15	MK-I44HK	MK-RB-440	MK-LL-440
5"	MK-RT-500	MK-I50HB14/15	MK-I50HB	MK-RB-500	MK-LL-500
5½"	MK-RT-540	MK-I54HB14/15	MK-I54HB	MK-RB-540	MK-LL-540
6"	MK-RT-600	MK-I60HB14/15	MK-I60HB	MK-RB-600	MK-LL-600
6½"	MK-RT-640	MK-I64HL14/15	MK-I64HL	MK-RB-640	MK-LL-640

* ¼ Size are available upon request

RODS					
	PISTON ROD	SUB ROD	EXTENSION ROD	ROD CLAMP	PISTON ROD NUT
PART NUMBER	MK-0256-A	MK-0256-B	MK-16-0256	MK-24-0256	MK-7403364

NATIONAL

7½ × 12

12-P-160

Liners & Liner Packing		
SIZES	LINER	LINER PACKING
4"	MK-0259-40	MKG-0265
4½"	MK-0259-44	MKG-0265
5"	MK-0259-50	MKG-0264
5½"	MK-0259-54	MKG-0263
6"	MK-0259-60	MKG-0261
6¼"	MK-0259-62	MKG-0283
6½"	MK-0259-64	MKG-0284
6¾"	MK-0259-66	MKG-0287
7"	MK-0259-70	MKG-0285
7¼"	MK-0259-72	MKG-0286
7½"	MK-0259-74	N/A

Gaskets	
Valve Cover Gasket	Cylinder Head Gasket
MKG-0771	N/A

SERIES	VALVE	SEAT	SPRING	URETHANE INSERT	PULLER HEAD
MKP-4 WEB	MK-U5C-EEF	MK-7DD-B12	MK-5710-115	MK-UDD-7B	MK-1700-7
MKP-4 WEB HIGH TEMP	MK-U5C-EEFHT	MK-7DD-B12	MK-5710-115	MK-UDD-7BHT	MK-1700-7
MKP-FULL OPEN	MK-7FO-V1	MK-7FO-S4	MK-5710-115L	MK-7FO-SI	MK-1700-7FO
MKP-G2	MK-1560985	MK-1561440	MK-1560702	MK-1560557	MK-1700-7G2
MKP-ROUGHNECK	MK-RN7-V1	MK-RN7-S12	MK-5710-115L	MK-RN7-I	MK-1700-7FO
MKP-SW FULL OPEN	MK-777-7	MK-877-8	MK-951	MK-977	MK-1700-7SW
MKP-DOUBLE ANGLE	MK-0500110	MK-0514299	MK-05147900	MK-0514275	MK-1700-7BA
MKP-PLATE TYPE	MK-0505062	MK-0514299	MK-05144230	MK-0504893	MK-1700-7BA

Piston Size	Red Thunder Bonded Pistons	Imperial Piston	Imperial Rubber Kits	Rubber Bonded	Long Life (Urethane)
4"	MK-RT-400	MK-I40HK14/15	MK-I40HK	MK-RB-400	MK-LL-400
4½"	MK-RT-440	MK-I44HK14/15	MK-I44HK	MK-RB-440	MK-LL-440
5"	MK-RT-500	MK-I50HB14/15	MK-I50HB	MK-RB-500	MK-LL-500
5½"	MK-RT-540	MK-I54HB14/15	MK-I54HB	MK-RB-540	MK-LL-540
6"	MK-RT-600	MK-I60HB14/15	MK-I60HB	MK-RB-600	MK-LL-600
6½"	MK-RT-640	MK-I64HL14/15	MK-I64HL	MK-RB-640	MK-LL-640
7"	MK-RT-700	MK-I70HL14/15	MK-I70HL	MK-RB-700	MK-LL-700
7½"	N/A	MK-I74HL14/15	MK-I70HL	MK-RB-740	MK-LL-740

* ¼ Size are available upon request

RODS					
PART NO.	PISTON ROD	SUB ROD	EXTENSION ROD	ROD CLAMP	PISTON ROD NUT
	MK-0258-A	MK-0258-B	MK-16-0258	MK-24-0258	MK-7403364



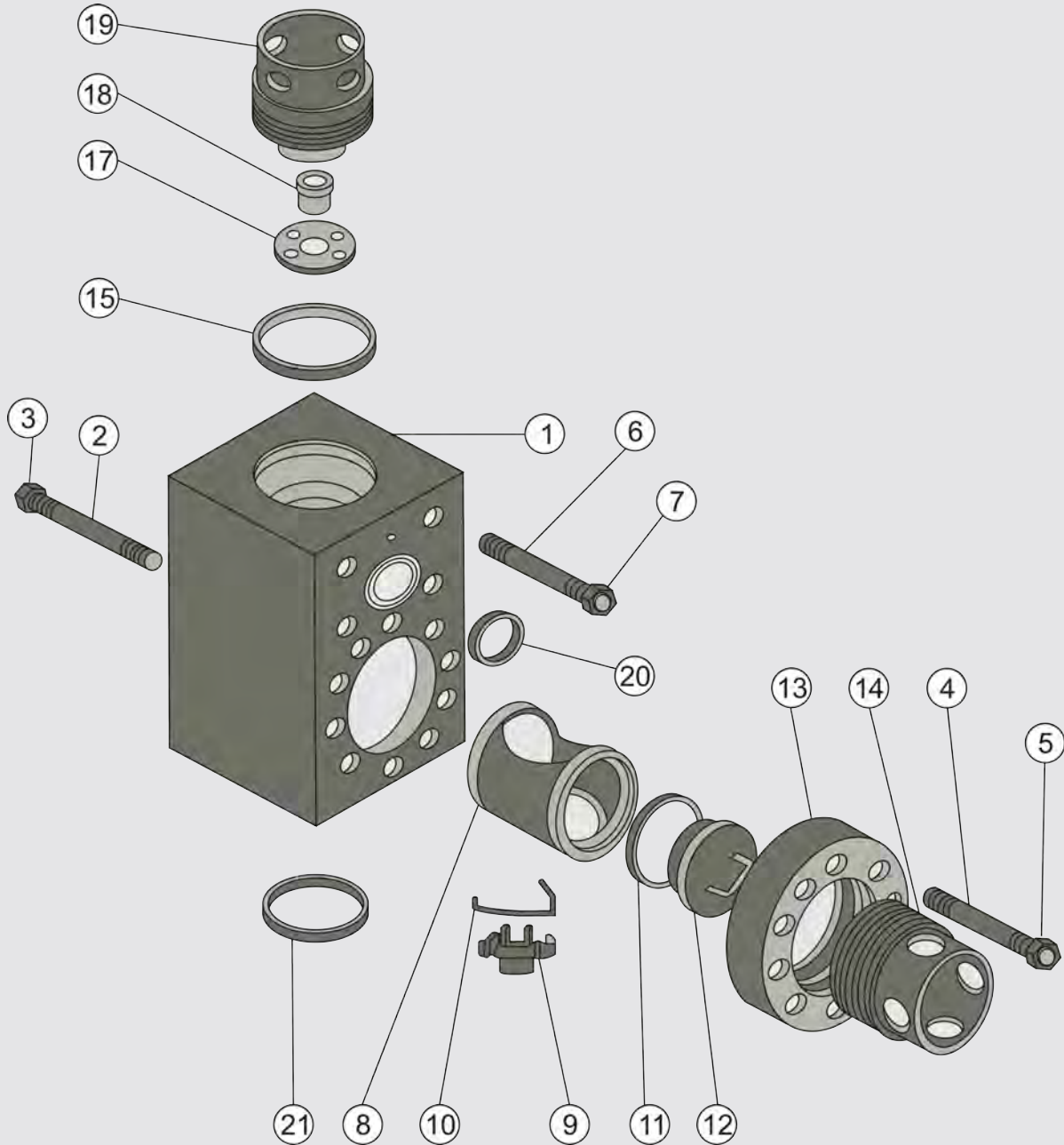
MUD PUMP EXPENDABLES
TRIPLEX FLUID END PARTS

FLUID END MODULE
AND ACCESSORIES

EMSCO F-350, F-500 & F-650

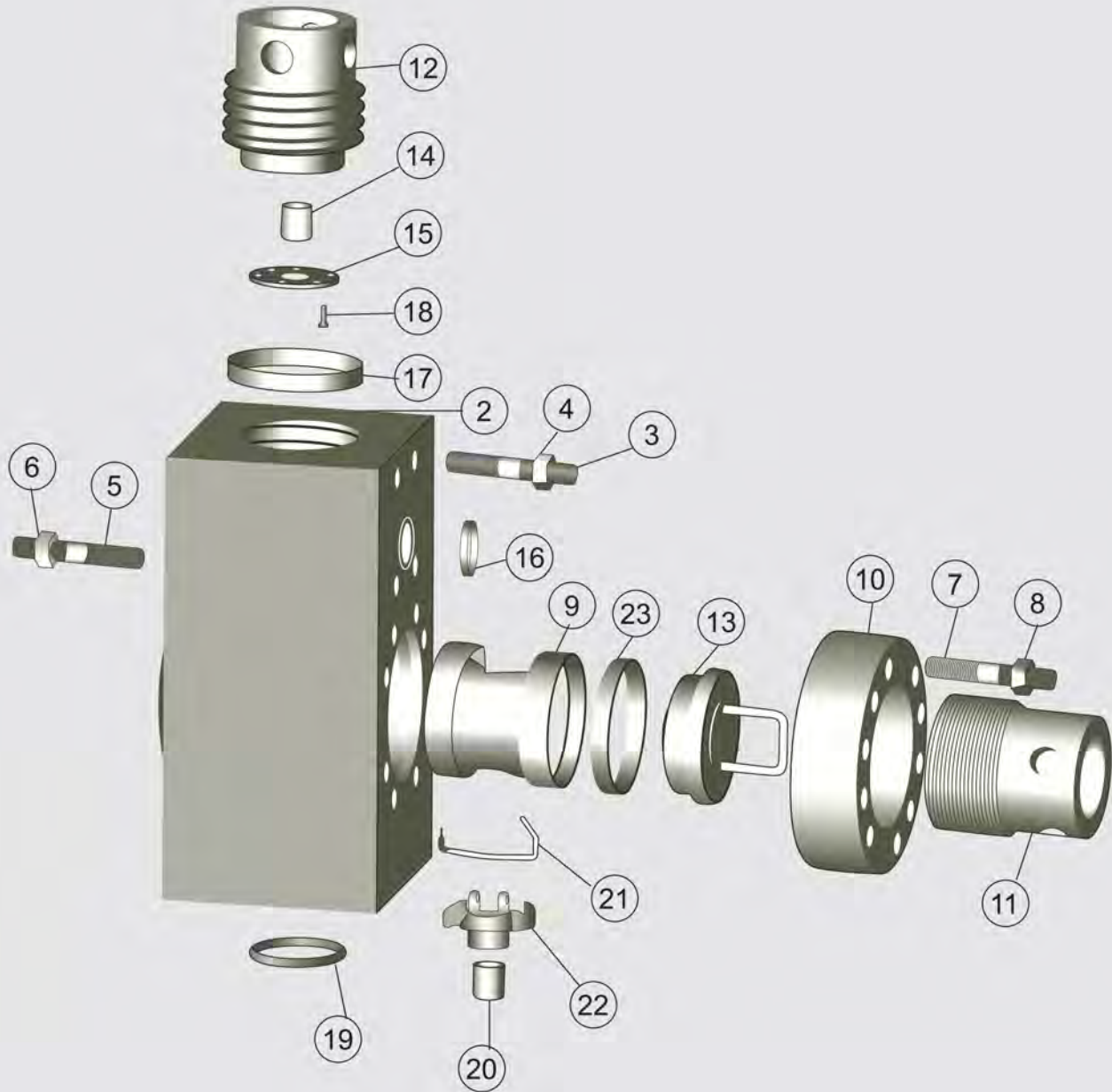
Item	Part No.	Description	Qty per Pump
	MK-6318-0151-00	Fluid Module, Studed (Included Items 2 – 7)	(3)
1		Fluid Module, Only	3
2	MK-7507-2207-00	Stud – Frame	18
3	MK-7601-0630-17	Nut – Frame	18
4	MK-7507-3402-00	Stud – Threaded Ring	36
5	MK-7601-0630-26	Nut – Threaded Ring	36
6	MK-7507-3407-00	Stud – Discharge Manifold	12
7	MK-7601-0630-26	Nut – Discharge Manifold	12
8	MK-6318-0148-00	Liner Cage	3
9	MK-6318-0177-00	Lower Valve Guide with Bushing	3
10	MK-6318-0153-00	Locking Clip	3
11	MK-7602-2200-34	Gasket – Liner	6
12	MK-6318-0158-00	Cylinder Head Plug	3
13	MK-6318-0130-00	Threaded Ring	3
14	MK-6318-0157-00	Cylinder Head	3
15	MK-6310-0084-00	Gasket – Valve Pot Cover	3
16	MK-7501-0051-00*	Retainer Bolt	12
17	MK-6310-0133-00	Retainer Plate	3
18	MK-6397-0602-00	Upper Valve Guide	3
19	MK-6310-0016-01	Valve Pot Cover	3
20	MK-7602-1600-23	Gasket – Discharge Manifold	3
21	MK-7602-1600-33	Gasket – Suction Manifold	3
22	MK-6318-0155-00*	Lower Valve Guide Bushing	3

* Not shown



EMSCO
F-800 & F-1000

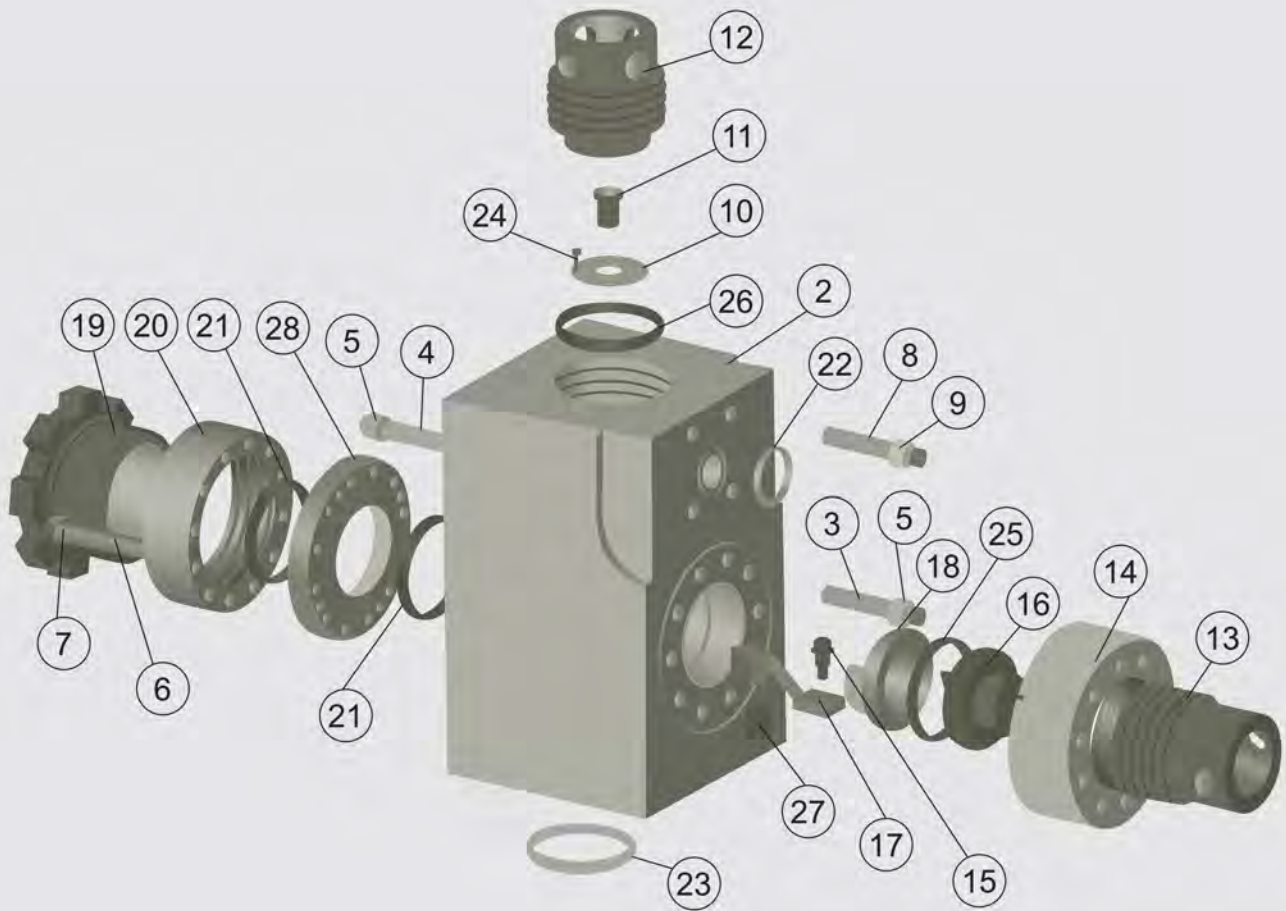
Item	Part No.	Description	Qty per Pump
1	MK-6999-0086-02	Fluid Module, Studded (Included Items 2 – 8)	(3)
2	MK-6999-0087-02	Fluid Module, Only	3
3	MK-7507-2108-00	Stud – Discharge Manifold	12
4	MK-7601-0630-24	Nut – Discharge Manifold	12
5	MK-7507-2205-00	Stud – Frame	18
6	MK-7601-0630-17	Nut – Frame	18
7	MK-7507-2150-00	Stud – Threaded Ring	30
8	MK-7601-0630-26	Nut – Threaded Ring	30
9	MK-6319-0026-00	Liner Cage	3
10	MK-6999-0089-00	Threaded Ring	3
11	MK-6319-0090-00	Cylinder Head	3
12	MK-6319-0027-00	Valve Pot Cover	3
13	MK-6319-0031-00	Cylinder Head Plug	3
14	MK-6397-0575-00	Upper Valve Guide	3
15	MK-6397-0603-00	Retainer Plate	3
16	MK-7602-1610-46	O-Ring, Discharge Manifold	3
17	MK-6319-0076-00	Seal – Valve Pot Cover	3
18	MK-7501-0051-00	Retainer Bolt	12
19	MK-7602-1600-61	O-Ring – Suction Manifold	3
20	MK-6316-0096-00	Lower Valve Guide Bushing	3
21	MK-6319-0089-00	Locking Clip	3
22	MK-6319-0087-00	Lower Valve Guide with Bushing	3
23	MK-7602-2200-32	Seal – Liner, Cylinder Head Plug	3



EMSCO
FB – 1300 & FB – 1600

Item	EMSCO Style Part No.	Description	Qty per Pump
1	MK-6316-0357-00	Fluid Module, Studded (Included Items 2 – 9)	(3)
2	MK-6316-0356-00	Fluid Module, Only	3
3	MK-7507-2210-00	Stud – Threaded Ring	30
4	MK-7507-2201-00	Stud – Frame	18
5	MK-7601-0630-17	Nut – Frame, Threaded Ring	48
6	MK-7507-2013-00	Stud – Liner Lock	36
7	MK-7601-0610-18	Nut – Liner Lock	36
8	MK-7507-2108-00	Stud – Discharge Manifold	12
9	MK-7601-0630-24	Nut – Discharge Manifold	12
10	MK-6397-0603-00	Retainer Plate	3
11	MK-6397-0575-00	Upper Valve Guide	3
12	MK-6316-0039-00	Valve Cover	3
13	MK-6316-0362-00	Cylinder Head	3
14	MK-6316-0361-00	Cylinder Threaded Ring	3
15	MK-6316-0360-00	Lock Bolt	3
16	MK-6316-0364-00	Cylinder Head Plug	3
17	MK-6316-0354-00	Lower Valve Guide with Bushing	3
18	MK-6316-0363-00	Alignment Ring	3
19	MK-6316-0367-00	Liner Lock	3
20	MK-6316-0366-00	Liner Threaded Ring	3
21	MK-6316-0373-00	Seal – Wear Plate, Liner	3
22	MK-7602-1600-25	Seal – Discharge Manifold	3
23	MK-7602-1600-61	Seal – Suction Manifold	3
24	MK-7501-0051-00	Retainer Bolt	12
25	MK-6316-0369-00	Seal – Cylinder Head Plug	3
26	MK-6316-0092-00	Seal – Valve Pot Cover	3
27	MK-6316-0096-00	Valve Guide Bushing	3
28	MK-6316-0365-00	¹ Wear Plate	3

¹Offered in Plain Carbon or Stainless Steel



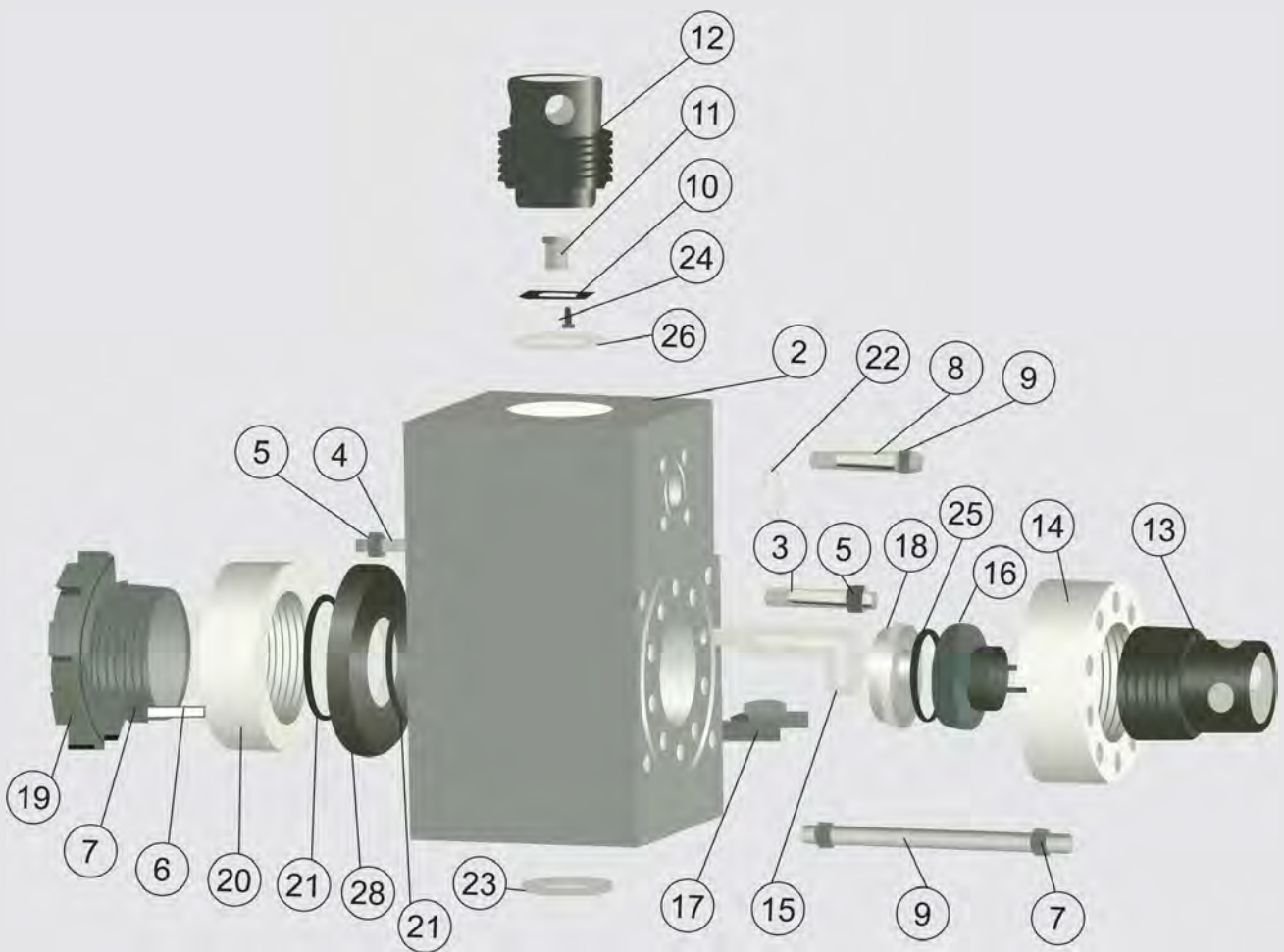
BOMCO

F – 1300 & F – 1600

Item	BOMCO Style Part No.	Description	Qty per Pump
1	MK-AH36002-05-01-00	Fluid Module, Studded (Included Items 2 – 9)	(3)
2	MK-AH36002-05-01-00U	Fluid Module, Only	3
3	MK-7507-2210-00	Stud – Threaded Ring	30
4	MK-7507-2201-00	Stud – Frame	18
5	MK-7601-0630-17	Nut – Frame, Threaded Ring	48
6	MK-7507-2013-00	Stud – Liner Lock	36
7	MK-7601-0610-18	Nut – Liner Lock	36
8	MK-7507-2108-00	Stud – Discharge Manifold	12
9	MK-7601-0630-24	Nut – Discharge Manifold	12
10	MK-6397-0603-00	Retainer Plate	3
11	MK-6397-0575-00	Upper Valve Guide	3
12	MK-6316-0039-00	Valve Cover	3
13	MK-6316-0362-00	Cylinder Head	3
14	MK-6316-0361-00	Cylinder Threaded Ring	3
15	MK-AH36001-05A.04	Lower Valve Guide Retainer	3
16	MK-AH36001-05A.06.00	Cylinder Head Plug	3
17	MK-AH36001-05A.05	Lower Valve Guide with Bushing	3
18	MK-AH36001-05A.07	Alignment Ring	3
19	MK-6316-0367-00	Liner Lock	3
20	MK-6316-0366-00	Liner Threaded Ring	3
21	MK-6316-0373-00	Seal – Wear Plate, Liner	3
22	MK-7602-1600-25	Seal – Discharge Manifold	3
23	MK-7602-1600-61	Seal – Suction Manifold	3
24	MK-7501-0051-00	Retainer Bolt	12
25	MK-6316-0369-00	Seal – Cylinder Head Plug	3
26	MK-6316-0092-00	Seal – Valve Pot Cover	3
27	MK-6316-0096-00 *	Valve Guide Bushing	3
28	MK-6316-0365-00	¹ Wear Plate	3

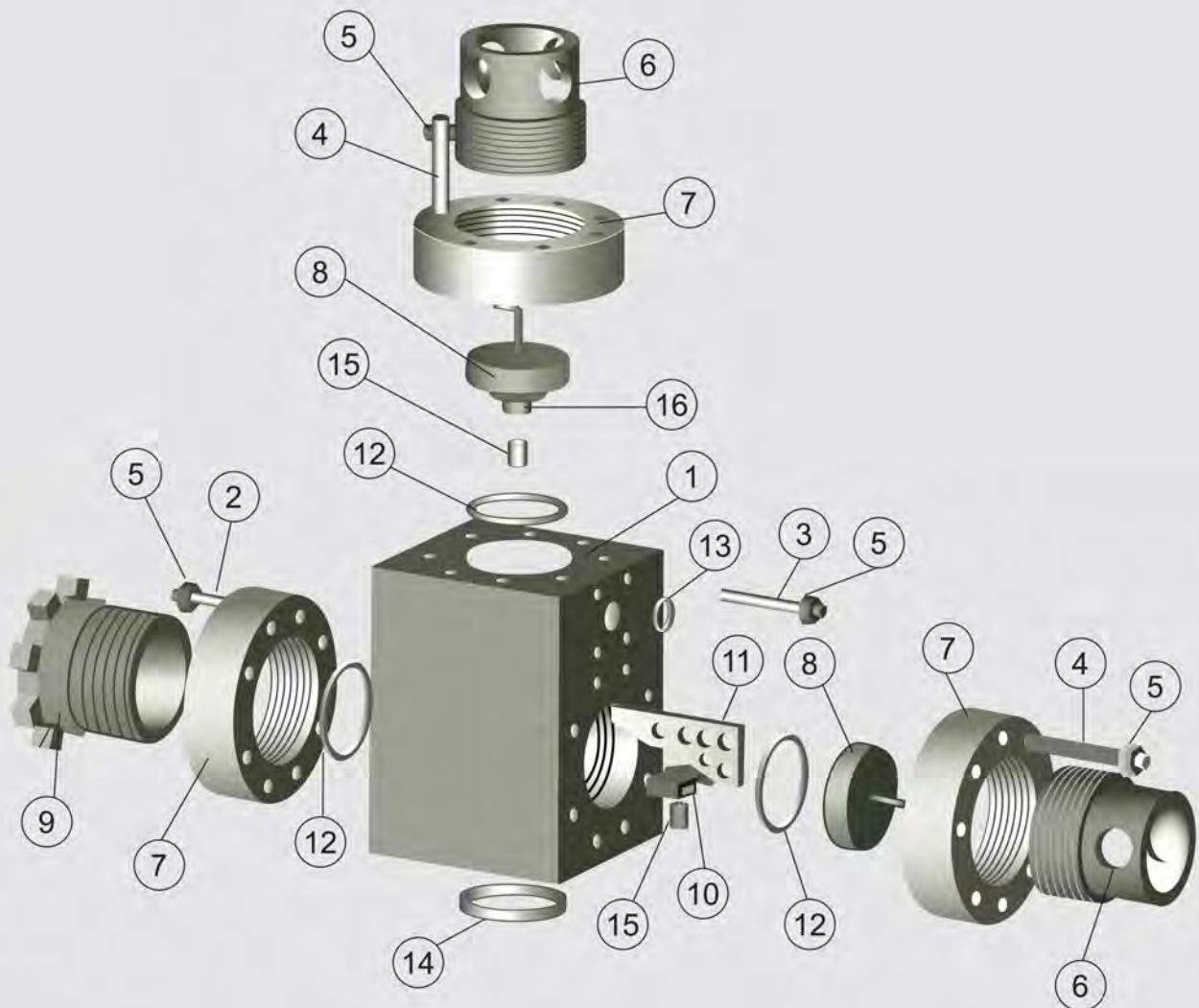
¹Offered in Plain Carbon or Stainless Steel

* Not shown



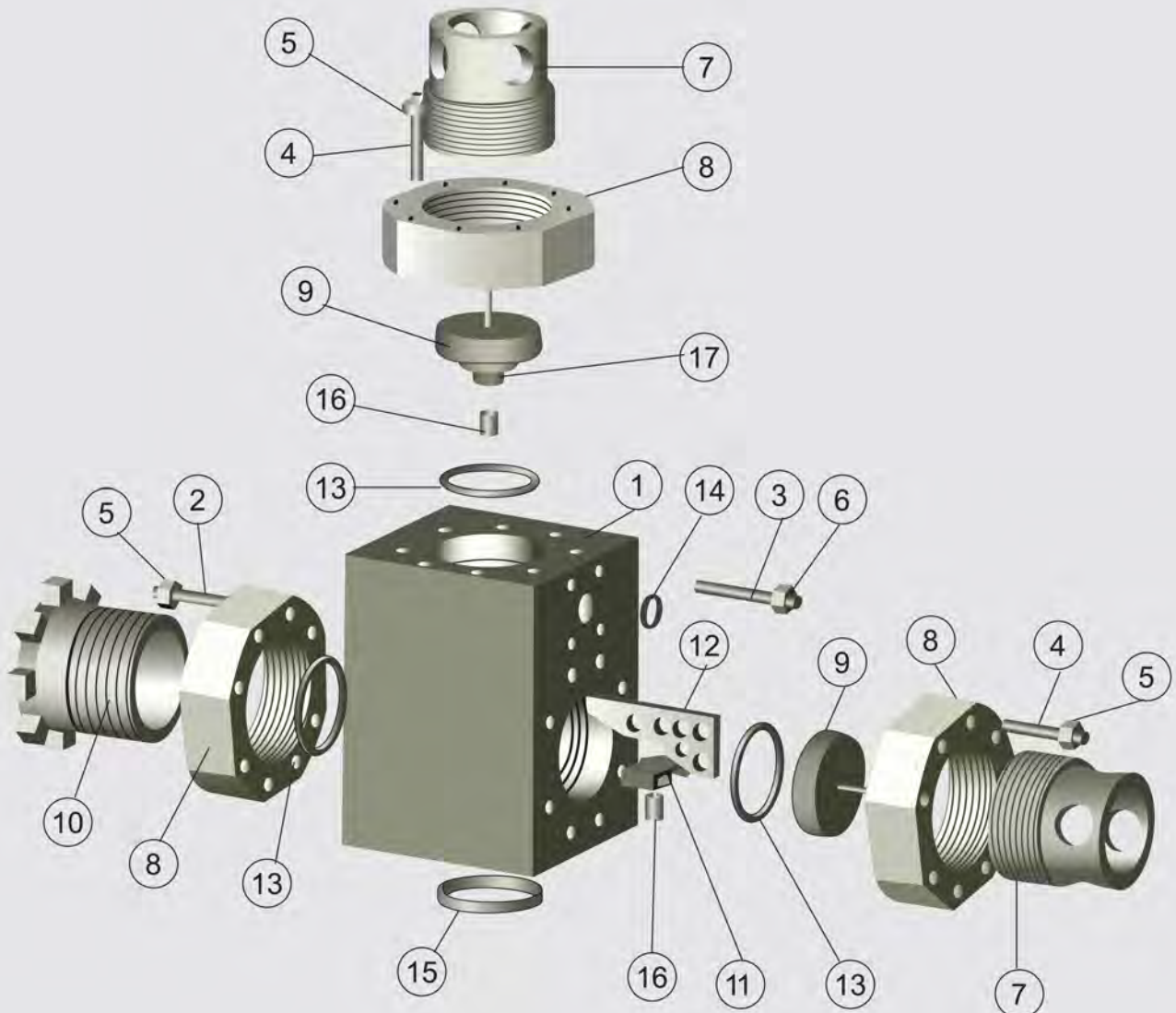
IDECO T-500, T-800 & T-1000

Item	Part No.	Description	Qty per Pump
1	MK-551-458	Fluid Module, Only (Studded Included Items 1 – 5)	3
2	MK-551-410-01	Stud – Frame	24
3	MK-551-410-02	Stud – Discharge Manifold	12
4	MK-551-410-03	Stud – Threaded Ring	48
5	MK-IN-416	Nut	84
6	MK-551-405-04	Threaded Plug Retainer	6
7	MK-551-405-03	Threaded Ring	9
8	MK-551-422-02	Cylinder Head Plug	3
	MK-551-422-03	Cylinder Head Plug – Top (Included Items 8 & 16)	3
9	MK-551-405-05	Threaded Liner Retainer	3
10	MK-551-405-07	Lower Valve Guide	3
11	MK-551-422-04	Retainer – Lower Valve Guide	3
12	MK-BMT-1669-63-09	Seal – Cylinder Head Plug, Liner	9
13	MK-IO-548	Seal – Discharge Manifold	3
14	MK-IO-521	Seal – Suction Manifold	3
15	MK-551-405-09	Valve Guide Bushing	6
16	MK-551-405-06	Upper Valve Guide	3



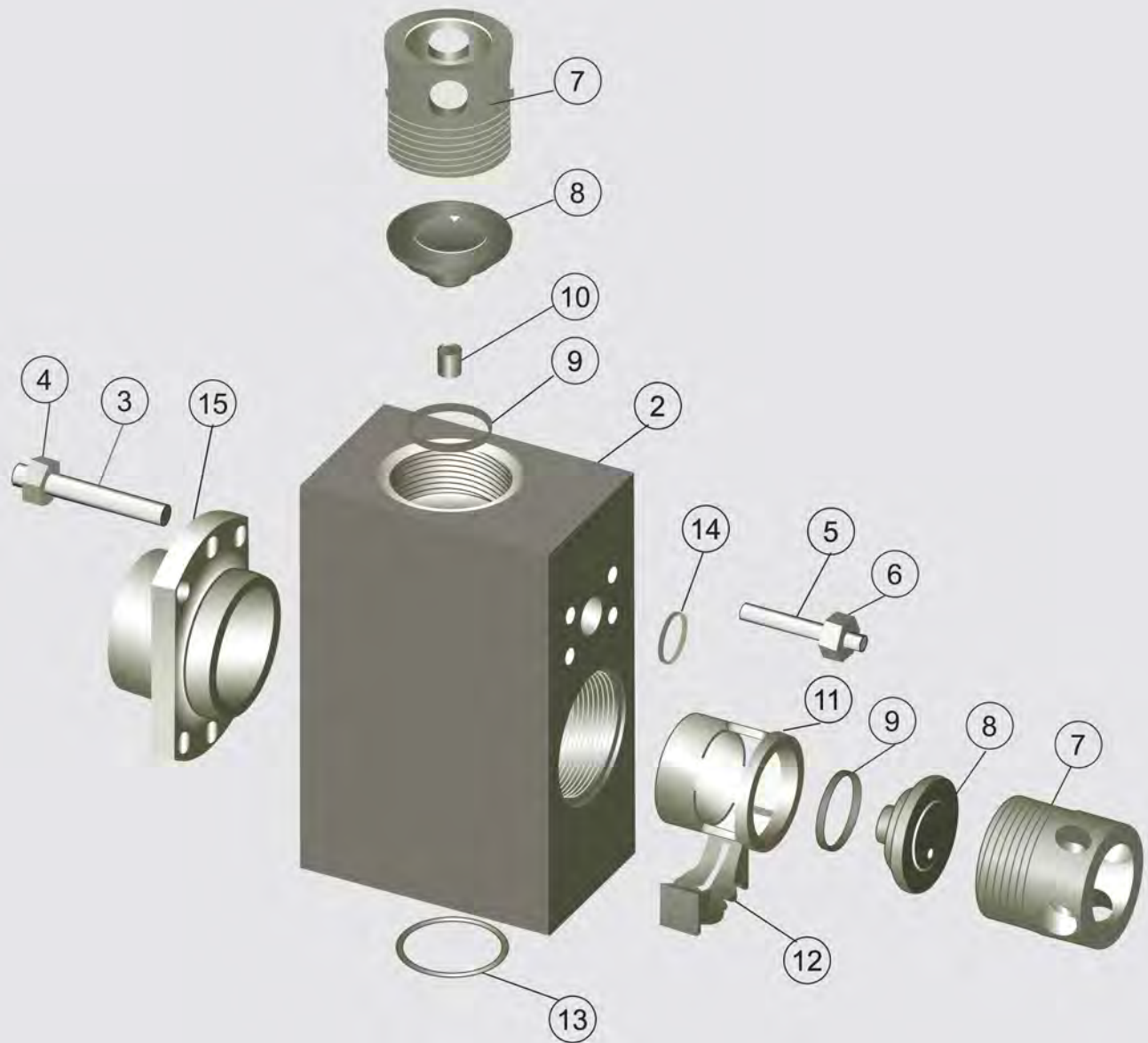
IDECO T-1300 & T-1600

Item	Part No.	Description	Qty per Pump
1	MK-551-122-01	Fluid Module Only (Studded Included Items 1 – 6)	3
2	MK-551-110-01	Stud – Frame, Threaded Ring	24
3	MK-551-110-02	Stud – Discharge Manifold	12
4	MK-551-110-03	Stud – Threaded Ring	48
5	MK-IN-415	Nut – Threaded Ring	72
6	MK-IN-416	Nut – Discharge Manifold	12
7	MK-551-105-04	Threaded Plug Retainer	6
8	MK-551-105-03	Threaded Ring	9
9	MK-551-122-02	Cylinder Head Plug	3
	MK-551-122-03	Cylinder Head Plug – Top (Included Items 9 & 17)	3
10	MK-551-105-05	Threaded Liner Retainer	3
11	MK-551-105-07	Lower Valve Guide	3
12	MK-551-105-08	Retainer – Lower Valve Guide	3
13	MK-BMT-1669-63-08	Seal – Cylinder Head Plug, Liner	9
14	MK-IO-548	Seal – Discharge Manifold	3
15	MK-IO-507	Seal – Suction Manifold	3
16	MK-551-105-09	Valve Guide Bushing	6
17	MK-551-105-06	Upper Valve Guide	3



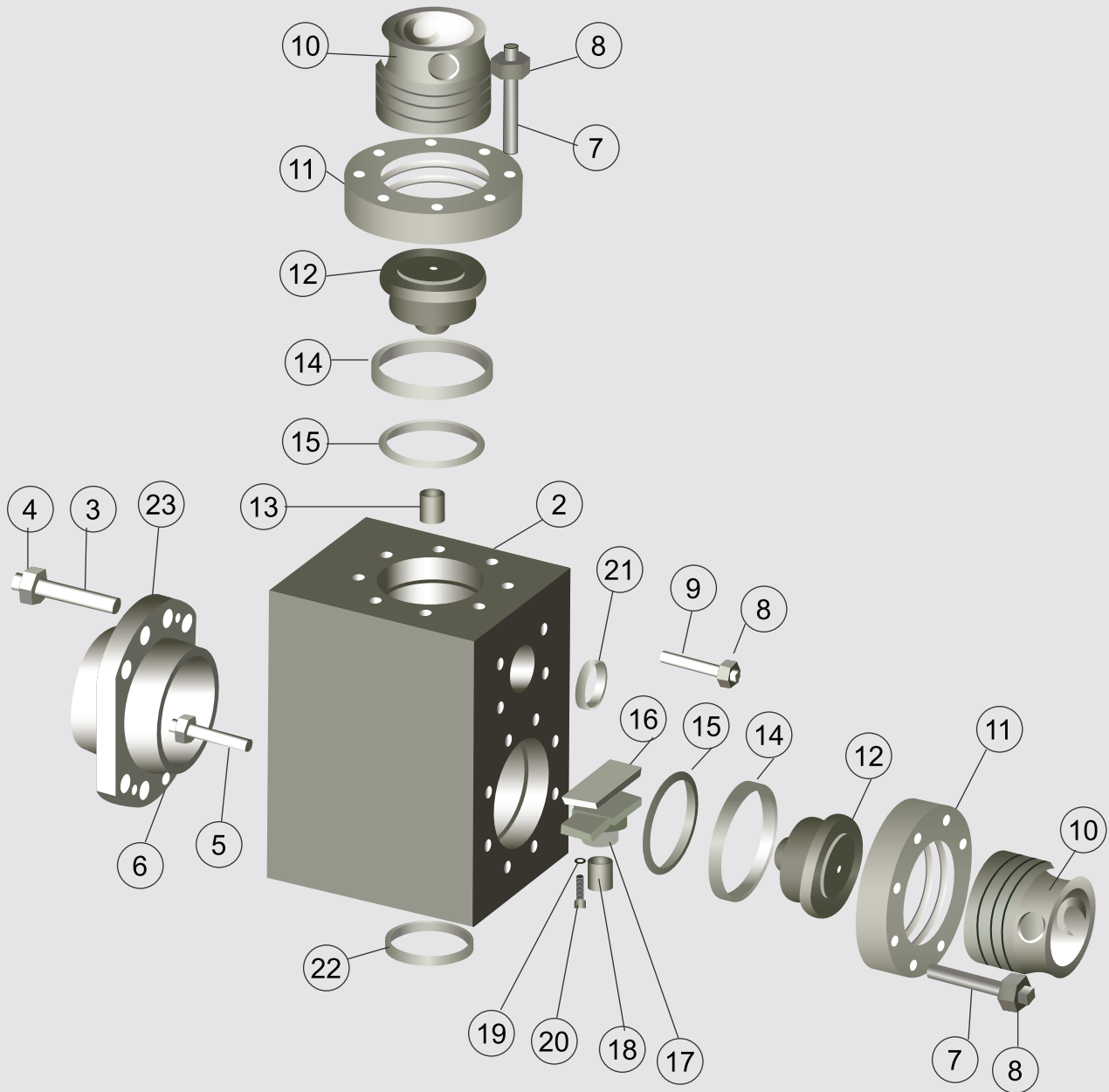
GARDNER DENVER PAH (All Models)

Item	Part No.	Description	Qty per Pump
1	MK-200PJH029B	Fluid Module, Studded (Included Items 2 – 6)	(3)
2		Fluid Module, Only	3
3	MK-79AJ2	Stud – Frame, Liner Clamp	18
4	MK-50B35	Nut – Frame, Liner Clamp	36
5	MK-79L142	Stud – Discharge Manifold	12
6	MK-50B9	Nut – Discharge Manifold	12
7	MK-3PA587	Threaded Cap	6
8	MK-200PJH147	Cover – Valve	6
9	MK-200PJH715	Gasket – Valve Cover	6
10	MK-2013547	Bushing – Discharge Valve Cover	3
11	MK-200PJH205	Retainer	3
12	MK-200PJH483	Valve Guide – Suction	3
13	MK-25G18	Gasket – Suction Manifold	3
14	MK-25AL54	Gasket – Discharge Manifold	3
15	MK-1PA217	Clamp – Liner	3



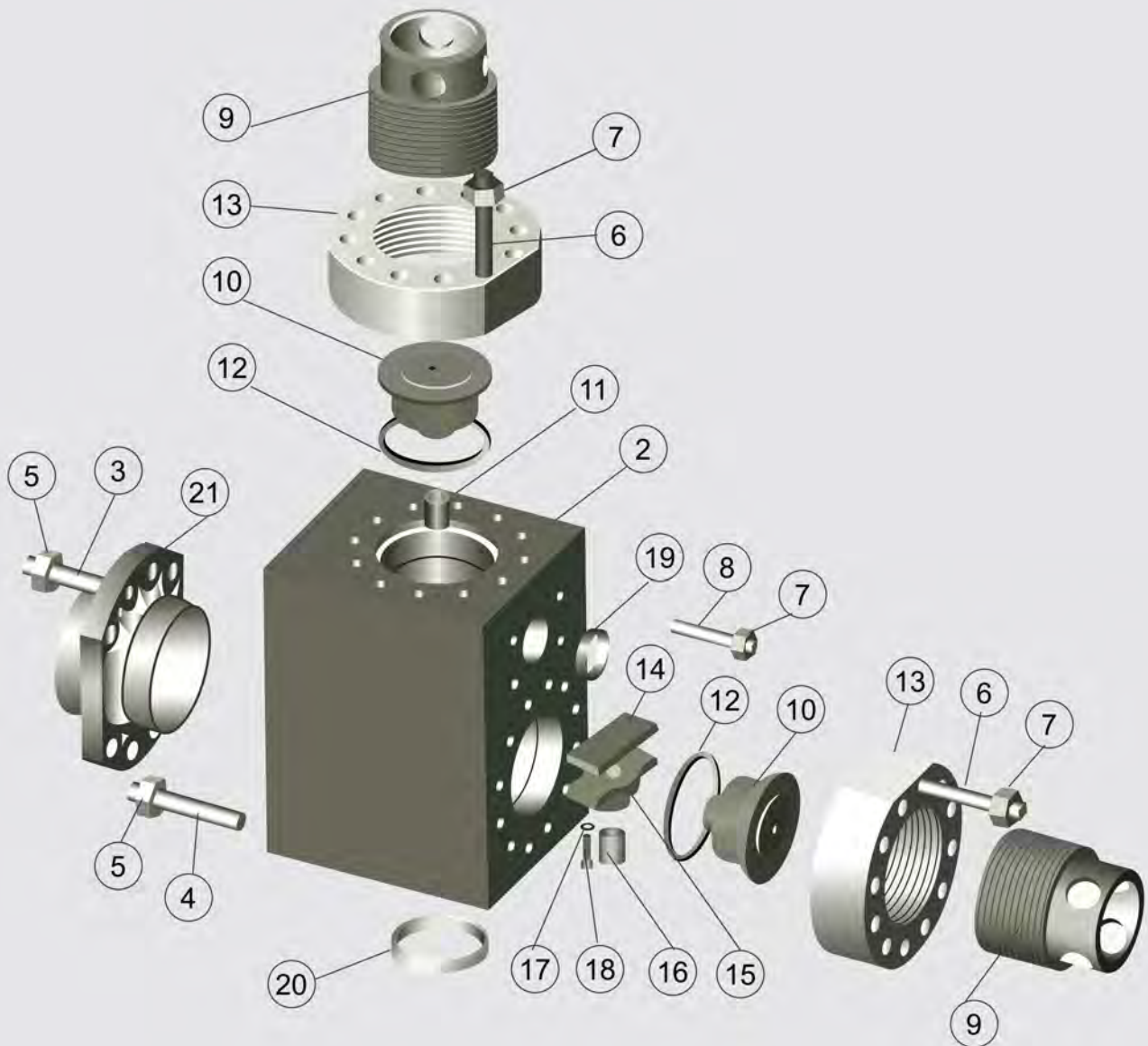
GARDNER DENVER
PZ-7, PZ-8 & PZ-9

Item	Part No.	Description	Qty per Pump
1	MK-205PZL029D	Fluid Module, Studded (Included Items 2 – 9)	(3)
2		Fluid Module, Only	3
3	MK-79L188	Stud – Frame, Liner Clamp	24
4	MK-50B36	Nut – Frame, Liner Clamp	48
5	MK-79L73	Stud – Frame	12
6	MK-50AQ30	Nut – Frame	12
7	MK-79AL6	Stud – Threaded Ring	48
8	MK-50B34	Nut – Threaded Ring, Discharge Manifold	60
9	MK-202PZL110	Stud – Discharge Manifold	12
10	MK-2011857	Cap – Valve Lock	6
11	MK-2011699	Threaded Ring	6
12	MK-2011860	Cover – Valve	6
13	MK-2007674	Valve Guide Bushing	3
14	MK-2011862	Gasket – Valve Cover	6
15	MK-2011861	Ring – Retaining / Valve Cover Gasket	6
	MK-2011706	Valve Guide Assembly (Included Items 16 – 20)	(3)
16	MK-2011701	Retainer Plate	3
17	MK-2011700	Valve Guide – Suction	3
18	MK-2007674	Valve Guide Bushing – Suction	3
19	MK-95W2	Lock Washer – Valve Guide / Suction	6
20	MK-655EE06S	Bolt – Valve Guide / Suction	6
21	MK-25AL35	Gasket – Discharge Manifold	3
22	MK-25G41	Gasket – Suction Manifold	3
23	MK-1PV14	Liner Clamp	3



GARDNER DENVER
PZ-10 & PZ-11

Item	Part No.	Description	Qty per Pump
1	MK-202PZL029B	Fluid Module, Studded (Included Items 2 – 8)	(3)
2		Fluid Module, Only	3
3	MK-201PZL110	Stud – Frame, Liner Clamp	24
4	MK-205PZL110	Stud – Frame	24
5	MK-50B36	Nut – Frame, Liner Clamp	60
6	MK-204PZL110	Stud – Threaded Ring	72
7	MK-50B34	Nut – Threaded Ring, Discharge Manifold	84
8	MK-202PZL110	Stud – Discharge Manifold	12
9	MK-200PZL587	Cap – Valve Lock	6
10	MK-200PZL147	Cover – Valve	6
11	MK-2007674	Valve Guide Bushing – Discharge	3
12	MK-204PZL715	Gasket – Valve Cover	6
13	MK-200PZL387	Threaded Ring	6
	MK-200PZL483A	Valve Guide Assembly (Included Items 14 – 18)	(3)
14	MK-2011701	Retainer Plate	3
15	MK-200PZL483	Valve Guide – Suction	3
16	MK-2007674	Valve Guide Bushing – Suction	3
17	MK-95W2	Lock Washer – Valve Guide / Suction	6
18	MK-655EE06S	Bolt – Valve Guide / Suction	6
19	MK-25AL35	Gasket – Discharge Manifold	3
20	MK-25BE41	Gasket – Suction Manifold	3
21	MK-200PZL455	Liner Clamp	3

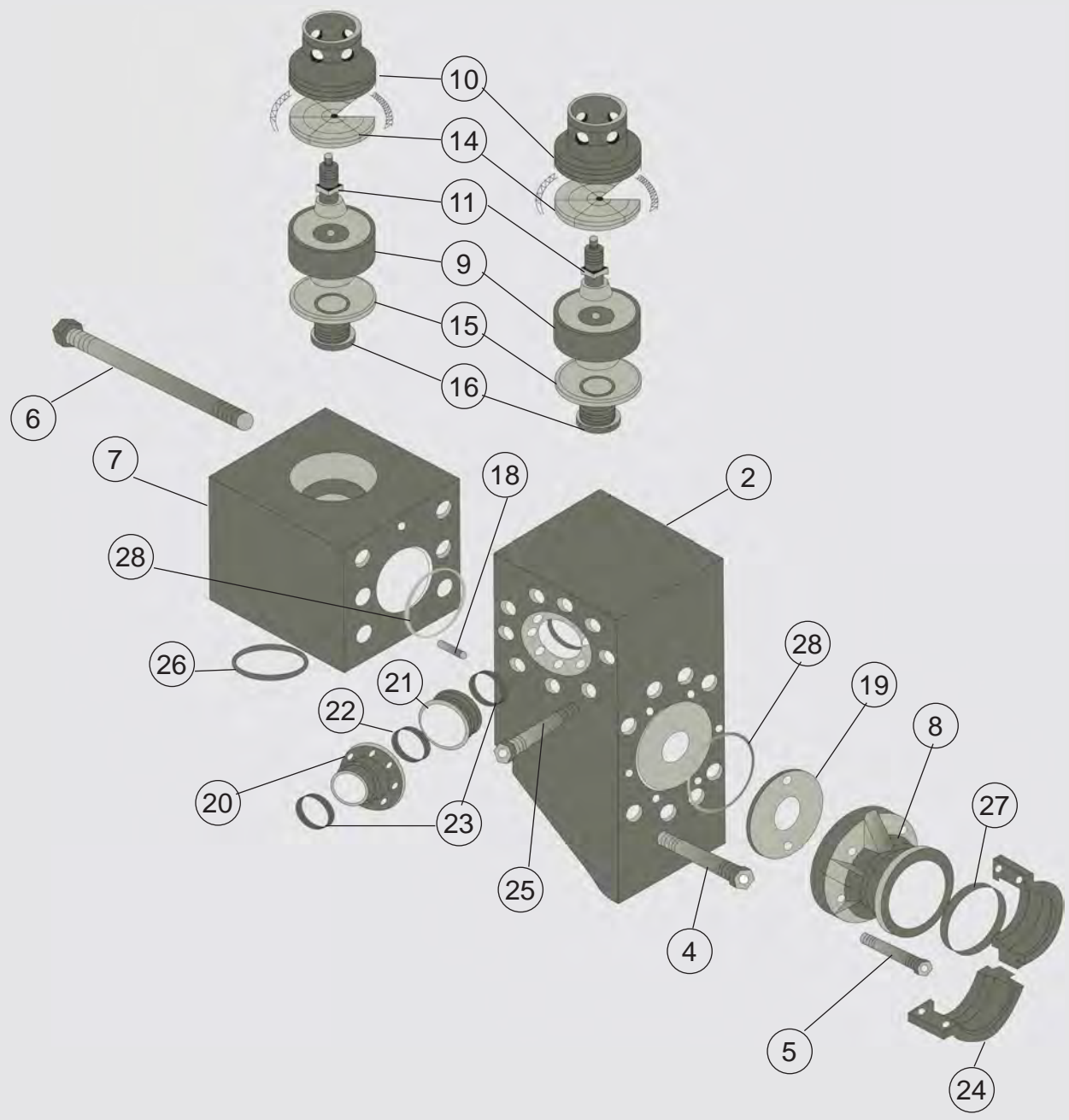


NATIONAL 7-P-50

Item	Part No.	Description	Qty per Pump
1	MK-1294150	Discharge Module, Studded (Included Items 2 – 7)	(3)
2	MK-1294151	Discharge Module, Only	3
3	MK-6300160	Nut – Wedge Adjusting	24
4	MK-2408042	Stud w/Nut – Frame	24
5	MK-2408043	Stud w/Nut – Liner Bushing	18
6	MK-2408041	Stud w/Nut – Discharge to Suction	18
7	MK-1294156	Suction Module	3
8	MK-1294165	Bushing – Liner	3
9	MK-1294174	Seal Retainer	6
10	MK-1294172	Valve Cover	6
11	MK-1290178	Screw – Wedge Adjusting	6
12	MK-1290315*	Washer – Wedge Adjusting	6
13	MK-1290181*	Spring – Wedge Assembly	6
14	MK-1290376	Wedge Assembly	6
15	MK-1540126	Gasket – Valve Cover	6
16	MK-1292140	Holder – Valve Guide	6
17	MK-1292141*	Insert – Valve Guide	6
18	MK-6511416	Pin, Dowell	6
19	MK-1294160	¹ Plate – Wear	3
20	MK-1294170	Connector – Discharge	2
21	MK-1294171	Adapter – Discharge Connector	2
22	MK-2410031-348	Packing, Rectangular	2
23	MK-2410031-427	Packing, Rectangular	4
24	MK-1294166	Clamp – Liner	3
25	MK-2402560	Stud w/ Nut, Discharge Spacer	16
26	MK-1 540142	Seal – Suction Manifold	3
27	MK-1294168	Collar – Liner	3
28	MK-1294192	Seal – Module, Wear Plate	6

¹Offered in Plain Carbon or Stainless Steel

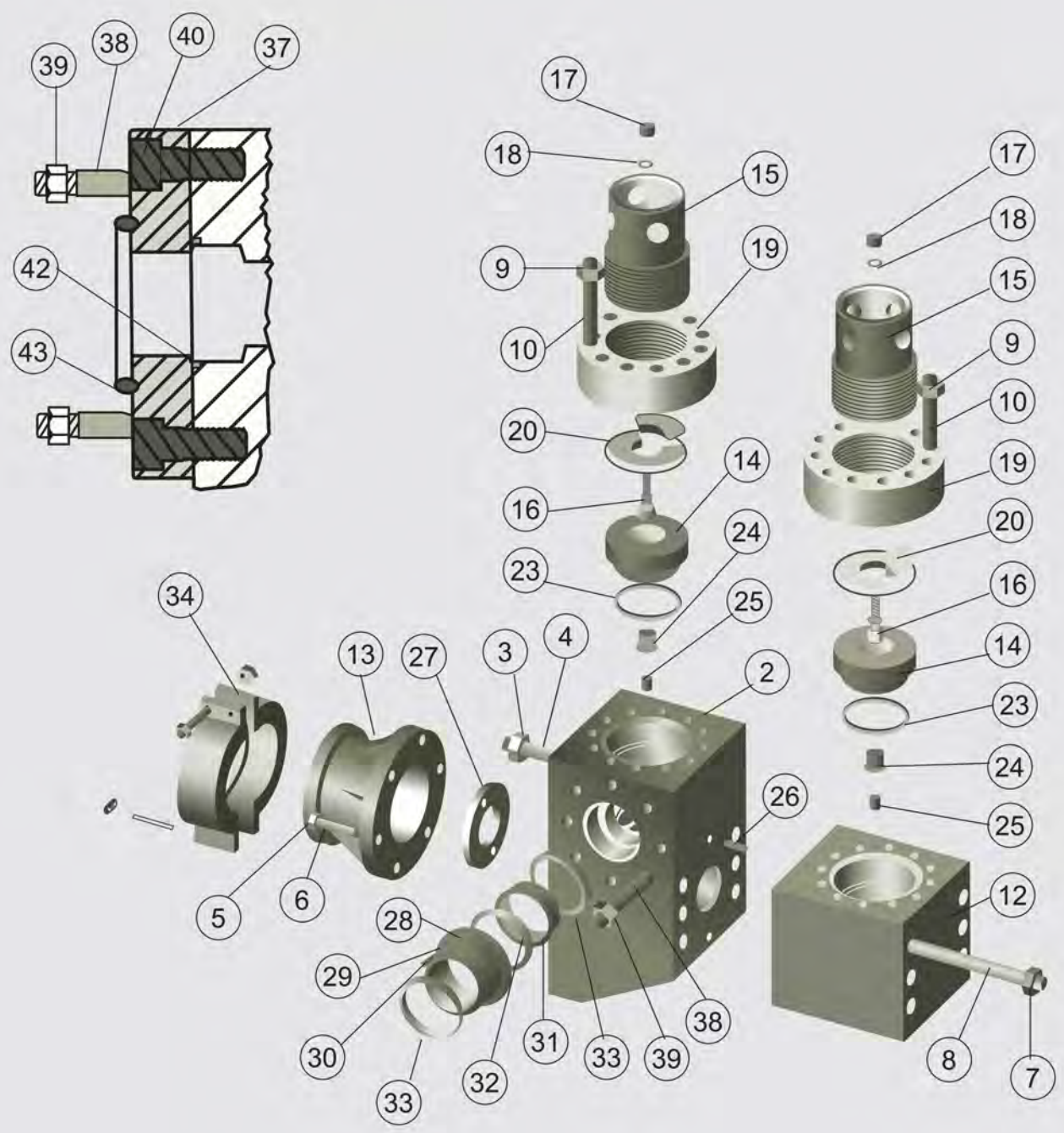
* Not shown



NATIONAL 8-P-80

Item	Part No.	Description	Qty per Pump
1	MK-1291280	Discharge Module, Studded (Included Items 2 – 10)	(3)
2	MK-1291281	Discharge Module, Only	3
3	MK-6300180	Nut – Frame	24
4	MK-2408026	Stud – Frame	24
5	MK-6300120	Nut – Liner Bushing	18
6	MK-2408025	Stud – Liner Bushing	18
7	MK-6300241	Nut – Suction to Discharge Module	18
8	MK-2408034	Stud – Suction to Discharge Module	18
9	MK-6300220	Nut – Threaded Ring	72
10	MK-2408019	Stud – Threaded Ring	72
11	MK-1290338	Suction Module, Studded (Included Items 9, 10, 14)	(3)
12	MK-1290339	Suction Module, Only	3
13	MK-1291165	Bushing – Liner	3
14	MK-1290174	Seal Retainer	6
15	MK-1290307	Valve Cover	6
16	MK-1290178	Screw – Wedge Adjusting	6
17	MK-6300160	Nut – Wedge Adjusting	6
18	MK-1290315	Washer – Wedge Adjusting	6
19	MK-1290308	Threaded Ring	6
20	MK-1290376	Wedge Assembly (Included Items 21 – 22)	(6)
21	MK-1290179*	Wedge, Set	6
22	MK-1290181*	Spring – Wedge Retaining	6
23	MK-1540126	Gasket – Valve Cover	6
24	MK-1292140	Holder – Valve Guide	6
25	MK-1292141	Insert – Valve Guide	6
26	MK-6511416	Pin, Dowell	6
27	MK-1290357	¹ Plate – Wear	3
28	MK-1290342	Connector – Discharge	2
29	MK-7000305-11	Screw, Hex Head	16
30	MK-7619050	Washer, Lock	16
31	MK-1290343	Adapter – Discharge Connector	2
32	MK-2410031-348	Packing, Rectangular	2
33	MK-2410031-427	Packing, Rectangular	4
34	MK-1291166	Clamp – Liner	3
35	MK-1590051*	Seal – Suction Manifold	3
36	MK-1291286	Spacer – Discharge, Studded (included items 37 – 39)	(2)
37	MK-1291287	Spacer – Discharge	2
38	MK-2402560	Stud – Discharge Spacer	16
39	MK-6300200	Nut – Discharge Spacer	16
40	MK-7006607	Capscrew	(16)
41	MK-1290344*	Seal – Module, Wear Plate	6
42	MK-1290345	Seal – Discharge Spacer	2
43	MK-6908033	Ring, Oval Joint	2

¹Offered in Plain Carbon or Stainless Steel * Not shown

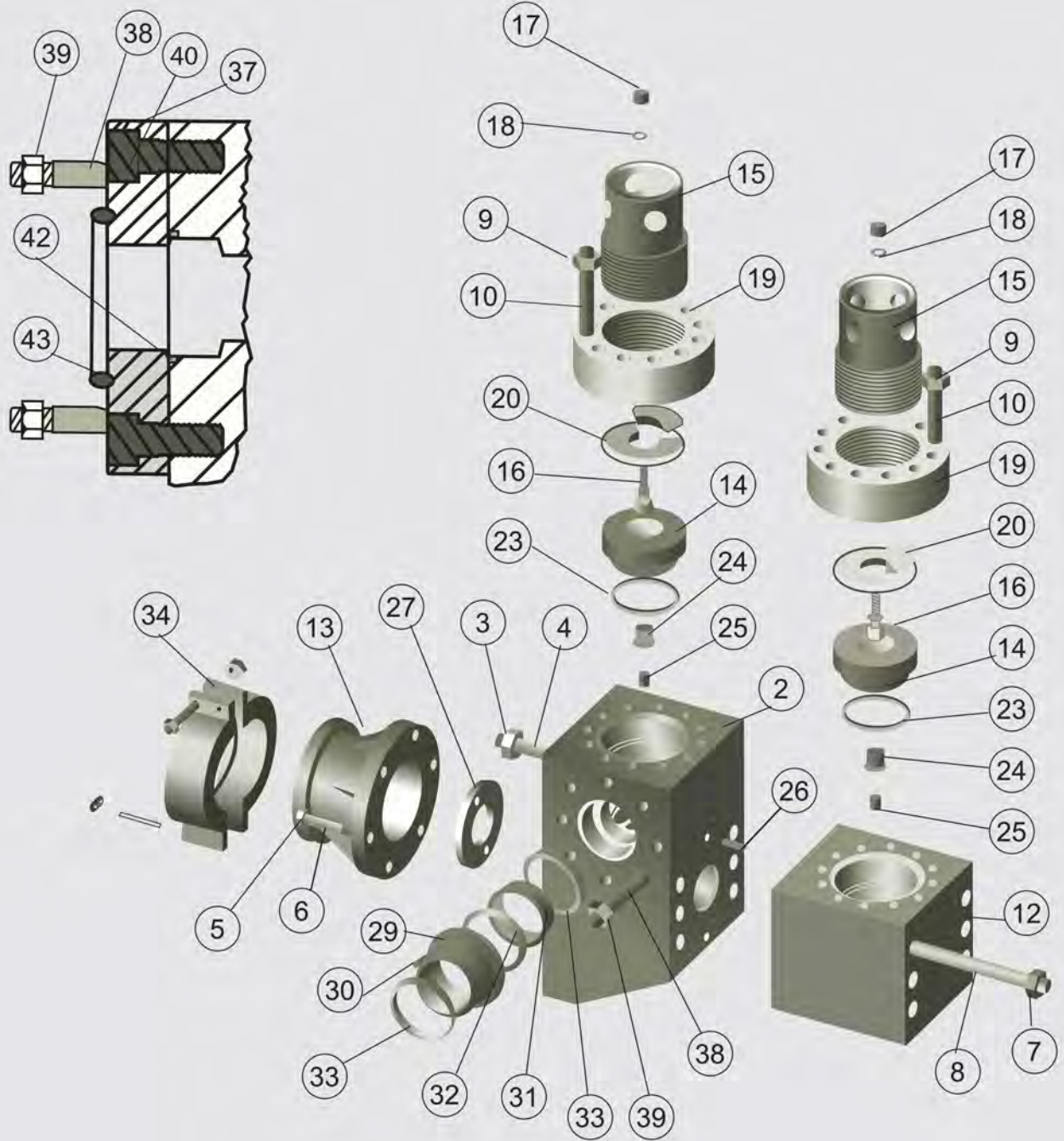


NATIONAL
9-P-100

Item	Part No.	Description	Qty per Pump
1	MK-1293240	Discharge Module, Studded (Included Items 2 – 10)	(3)
2	MK-1293241	Discharge Module, Only	3
3	MK-6300200	Nut – Frame	24
4	MK-2408030	Stud – Frame	24
5	MK-6300160	Nut – Liner Bushing	18
6	MK-2408018	Stud – Liner Bushing	18
7	MK-6300241	Nut – Suction to Discharge Module	18
8	MK-2408034	Stud – Suction to Discharge Module	18
9	MK-6300220	Nut – Threaded Ring	72
10	MK-2408019	Stud – Threaded Ring	72
11	MK-1290338	Suction Module, Studded (Included Items 9, 10, 14)	(3)
12	MK-1290339	Suction Module, Only	3
13	MK-1293165	Bushing – Liner	3
14	MK-1290174	Seal Retainer	6
15	MK-1290307	Valve Cover	6
16	MK-1290178	Screw – Wedge Adjusting	6
17	MK-6300160	Nut – Wedge Adjusting	6
18	MK-1290315	Washer – Wedge Adjusting	6
19	MK-1290308	Threaded Ring	6
20	MK-1290376	Wedge Assembly (Included Items 21 – 22)	(6)
21	MK-1290179*	Wedge, Set	6
22	MK-1290181*	Spring – Wedge Retaining	6
23	MK-1540126	Gasket – Valve Cover	6
24	MK-1292140	Holder – Valve Guide	6
25	MK-1292141	Insert – Valve Guide	6
26	MK-6511416	Pin, Dowell	6
27	MK-1290357	¹ Plate – Wear	3
28	MK-1290342	Connector – Discharge	2
29	MK-7000305-11	Screw, Hex Head	6
30	MK-7619050	Washer, Lock	6
31	MK-1290343	Adapter – Discharge Connector	2
32	MK-2410031-348	Packing, Rectangular	2
33	MK-2410031-427	Packing, Rectangular	4
34	MK-1293166	Clamp – Liner	3
35	MK-1590051*	Seal – Suction Manifold	3
36	MK-1293243	Spacer – Discharge, Studded (Included Items 37 – 39)	(2)
37	MK-1293244	Spacer – Discharge	2
38	MK-2402560	Stud – Discharge Spacer	16
39	MK-6300200	Nut – Discharge Spacer	16
40	MK-7006606	Capscrew	16
41	MK-1290344*	Seal – Module, Wear Plate	6
42	MK-1290345	Seal – Discharge Spacer	2
43	MK-6908033	Ring, Oval Joint	2

¹Offered in Plain Carbon or Stainless Steel

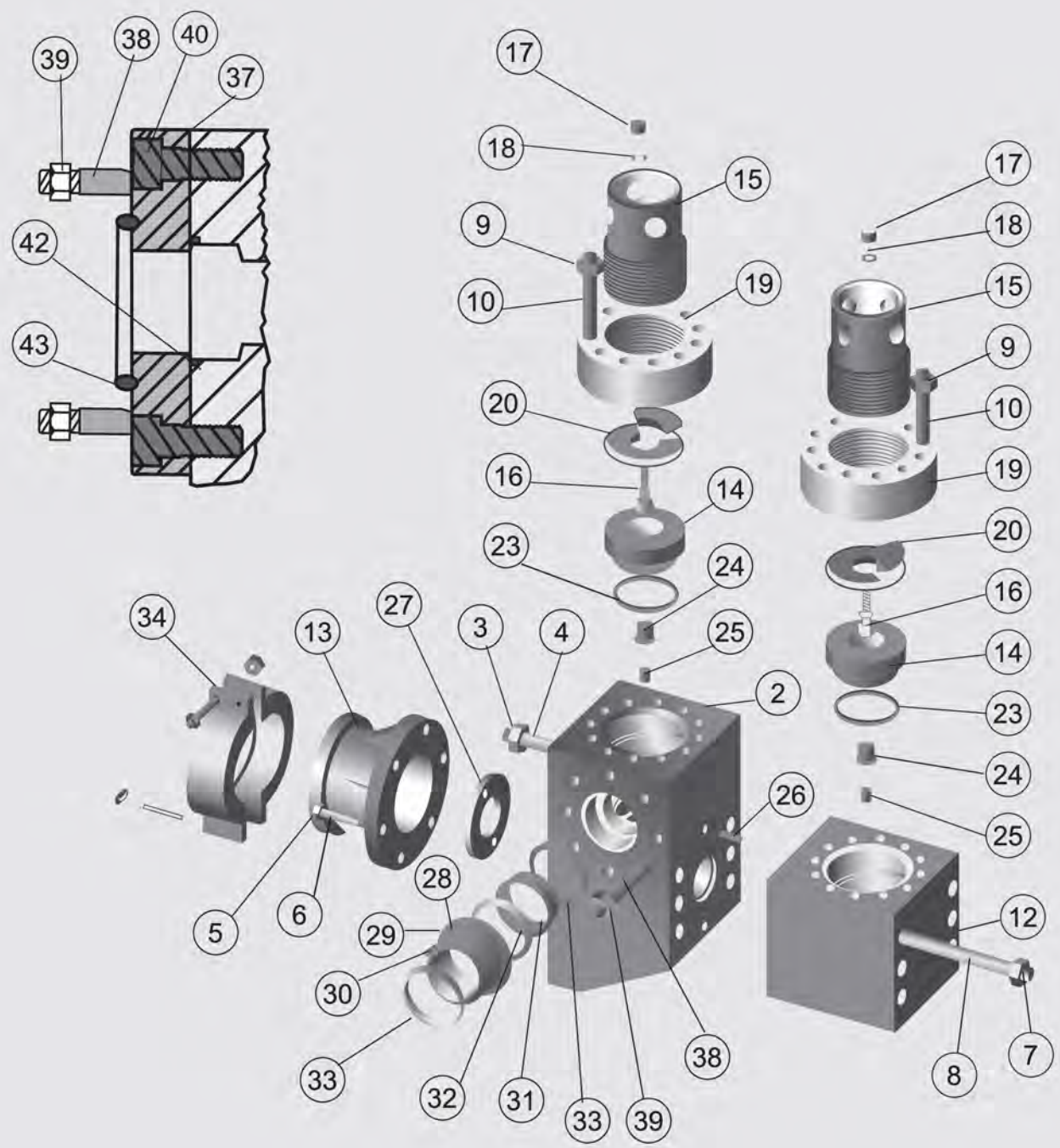
* Not shown



NATIONAL 10-P-130

Item	Part No.	Description	Qty per Pump
1	MK-1290335	Discharge Module, Studded (Included Items 2 – 10)	(3)
2	MK-1290336	Discharge Module, Only	3
3	MK-6300240	Nut – Frame	24
4	MK-2408020	Stud – Frame	24
5	MK-6300160	Nut – Liner Bushing	18
6	MK-2408018	Stud – Liner Bushing	18
7	MK-6300241	Nut – Suction to Discharge Module	18
8	MK-2408034	Stud – Suction to Discharge Module	18
9	MK-6300220	Nut – Threaded Ring	72
10	MK-2408019	Stud – Threaded Ring	72
11	MK-1290338	Suction Module, Studded (Included Items 9, 10, 12)	(3)
12	MK-1290339	Suction Module, Only	3
13	MK-1290165	Bushing – Liner	3
14	MK-1290174	Seal Retainer	6
15	MK-1290307	Valve Cover	6
16	MK-1290178	Screw – Wedge Adjusting	6
17	MK-6300160	Nut – Wedge Adjusting	6
18	MK-1290315	Washer – Wedge Adjusting	6
19	MK-1290308	Threaded Ring	6
20	MK-1290376	Wedge Assembly (Included Items 21 – 22)	6
21	MK-1290179*	Wedge, Set	6
22	MK-1290181*	Spring – Wedge Retaining	6
23	MK-1540126	Gasket – Valve Cover	6
24	MK-1292140	Holder – Valve Guide	6
25	MK-1292141	Insert – Valve Guide	6
26	MK-6511416	Pin, Dowell	6
27	MK-1290357	¹ Plate – Wear	3
28	MK-1290342	Connector – Discharge	2
29	MK-7000305-11	Screw, Hex Head	16
30	MK-7619050	Washer, Lock	16
31	MK-1290343	Adapter – Discharge Connector	2
32	MK-2410031-348	Packing, Rectangular	2
33	MK-2410031-427	Packing, Rectangular	4
34	MK-1290166	Clamp – Liner	3
35	MK-1590051*	Seal – Suction Manifold	3
36	MK-1290348	Spacer – Discharge, Studded (Included Items 37 – 39)	2
37	MK-1290341	Spacer – Discharge	2
38	MK-2402560	Stud – Discharge Spacer	16
39	MK-6300200	Nut – Discharge Spacer	16
40	MK-7006605	Capscrew	16
41	MK-1290344*	Seal – Module, Wear Plate	6
42	MK-1290345	Seal – Discharge Spacer	2
43	MK-6908033	Ring – Oval Joint	2

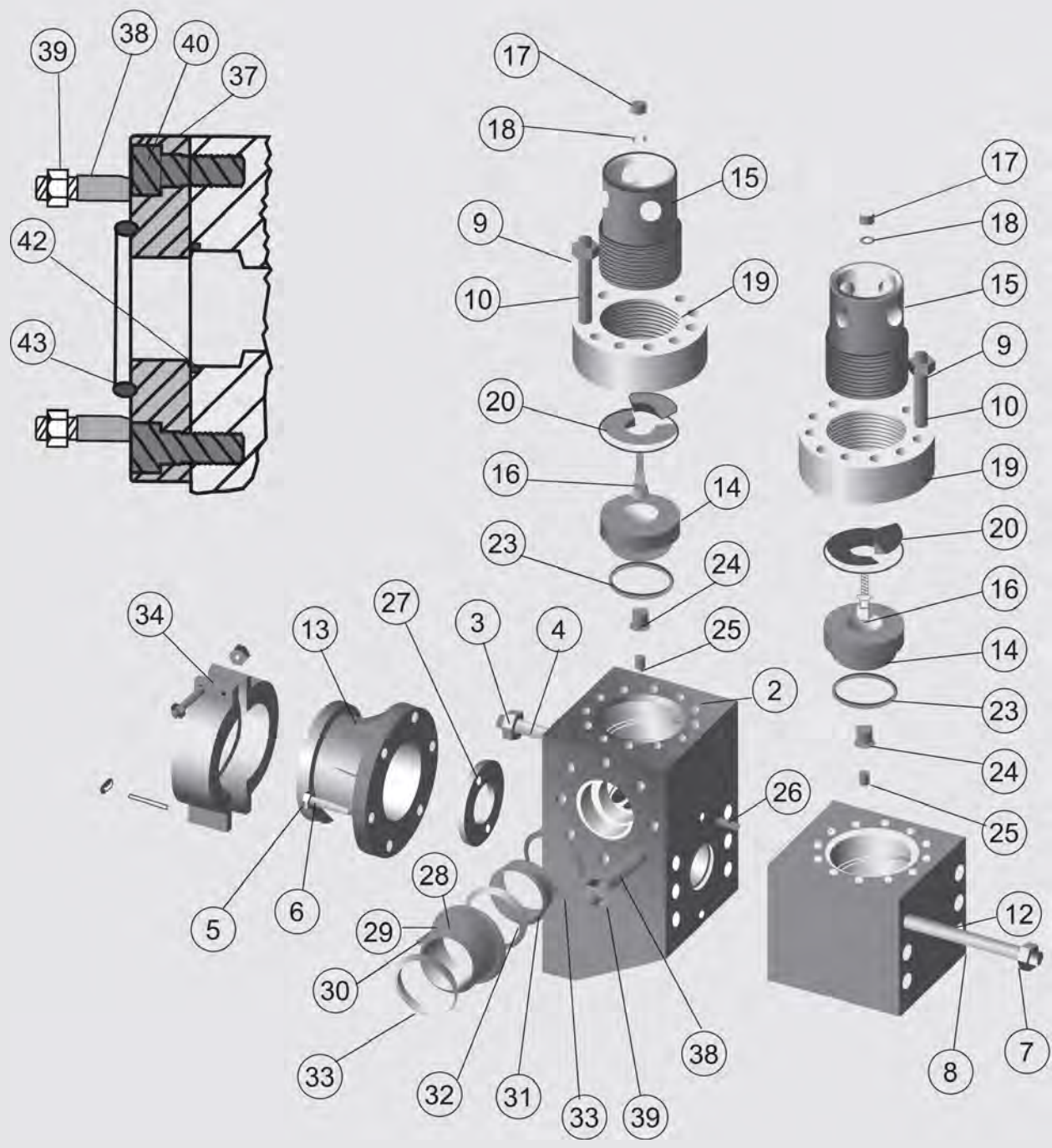
¹Offered in Plain Carbon or Stainless Steel * Not shown



NATIONAL 12-P-160

Item	Part No.	Description	Qty per Pump
1	MK-1292240	Discharge Module, Studded (Included Items 2 – 10)	(3)
2	MK-1292241	Discharge Module, Only	3
3	MK-6300220	Nut – Frame	30
4	MK-2408029	Stud – Frame	30
5	MK-6300180	Nut – Liner Bushing	18
6	MK-2408028	Stud – Liner Bushing	18
7	MK-6300281	Nut – Suction to Discharge Module	18
8	MK-2408033	Stud – Suction to Discharge Module	18
9	MK-6300240	Nut – Threaded Ring	72
10	MK-2408027	Stud – Threaded Ring	72
11	MK-1292243	Suction Module, Studded (Included Items 9, 10, 12)	(3)
12	MK-1292244	Suction Module, Only	3
13	MK-1292165	Bushing – Liner	3
14	MK-1292174	Seal Retainer	6
15	MK-1292172	Valve Cover	6
16	MK-1292178	Screw – Wedge Adjusting	6
17	MK-6300182	Nut – Wedge Adjusting	6
18	MK-1292171	Washer – Wedge Adjusting	6
19	MK-1292176	Thread Ring	6
20	MK-1292268	Wedge Assembly (Included Items 21 – 22)	6
21	MK-1292179*	Wedge, Set	6
22	MK-1292181*	Spring – Wedge Retaining	6
23	MK-1540127	Gasket – Valve Cover	6
24	MK-1292140	Holder – Valve Guide	6
25	MK-1292141	Insert – Valve Guide	6
26	MK-6511416	Pin, Dowell	6
27	MK-1292266	¹ Plate – Wear	3
28	MK-1292252	Connector – Discharge	2
29	MK-7000307-11	Screw, Hex Head	16
30	MK-7619050	Washer, Lock	16
31	MK-1292253	Adapter – Discharge Connector	2
32	MK-2410031-433	Packing, Rectangular	2
33	MK-2410031-437	Packing, Rectangular	4
34	MK-1292166	Clamp – Liner	3
35	MK-1540851*	Seal – Suction Manifold	3
36	MK-1292262	Spacer – Discharge, Studded (Included Items 37 – 39)	2
37	MK-1292246	Spacer – Discharge	2
38	MK-2408015	Stud – Discharge Spacer	16
39	MK-6300240	Nut – Spacer	16
40	MK-7006685*	Capscrew	16
41	MK-1292257*	Seal – Module, Wear Plate	6
42	MK-1292258	Seal – Discharge Spacer	2
43	MK-6908040	Ring, Oval Joint	2

¹Offered in Plain Carbon or Stainless Steel * Not Shown



OILWELL A-850-PT, A-1100-PT, A-1400-PT & A-1700-PT

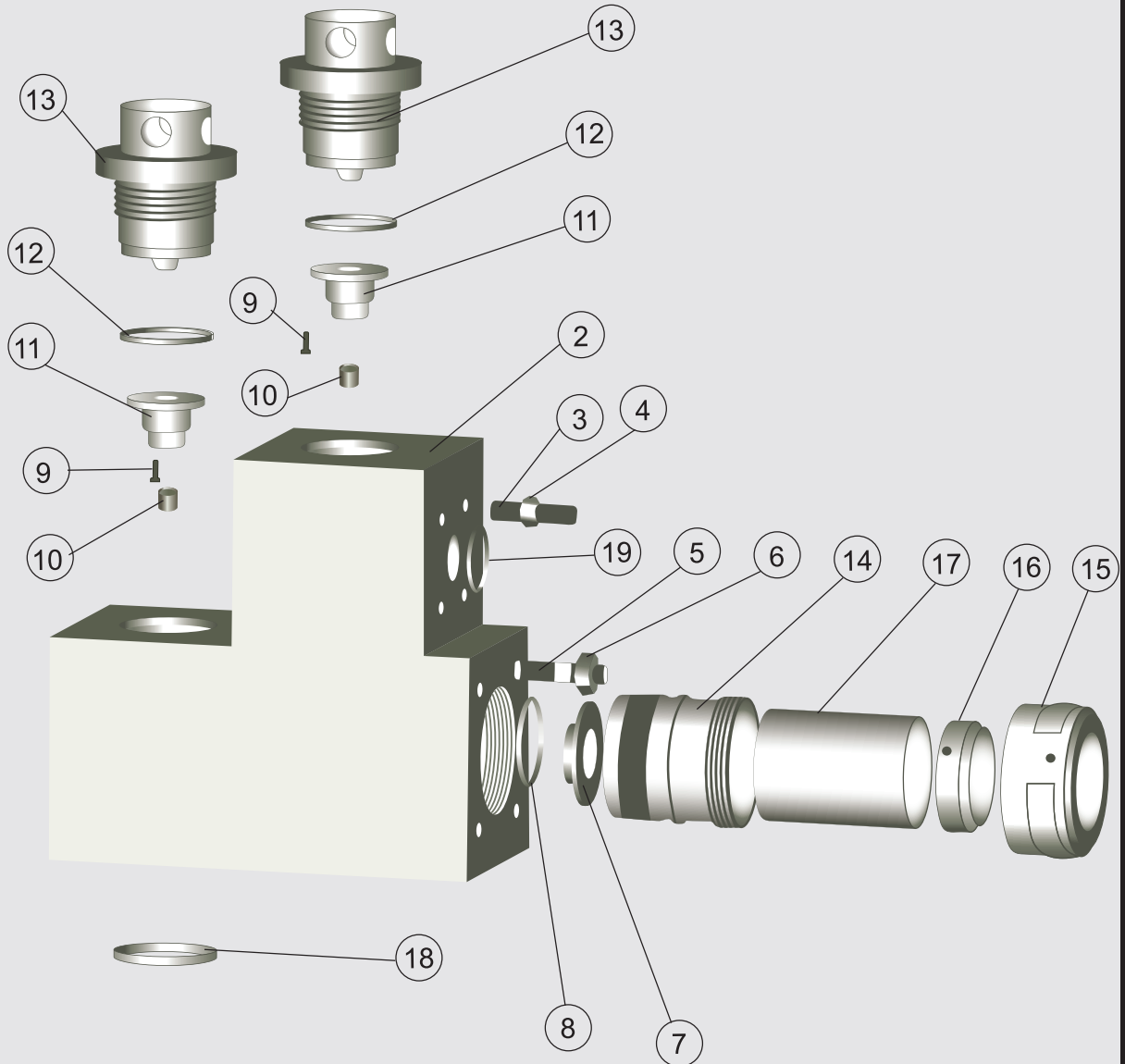
Item	Part No.	Description	Qty per Pump
1	MK-10-300-181	Discharge Module, Studded (Included Items 2 – 6)	(3)
2		Discharge Module, Only	3
3	MK-49-001-292	Stud – Discharge Manifold	12
4	MK-75-511-754	Nut – Discharge Manifold	12
5	MK-49-002-837	Stud – Frame	12
6	MK-75-510-126	Nut – Frame	12
7	MK-10-300-184	¹ Wear Plate – Liner	6
8	MK-20-100-008	Gasket – Liner Wear Plate	6
9	MK-75-632-234	Cap Screw, Self Locking	24
10	MK-20-200-004	Valve Guide Bushing	6
11	MK-10-300-004	Valve Guide	6
12	MK-10-300-011	Gasket – Valve Cover	6
13	MK-10-300-005	Valve Cover	6
14	MK-10-300-183	Liner Adapter	3
15	MK-10-303-092	Nut – Liner Adapter (A850-PT, A1100-PT only)	3
	MK-10-300-182	Nut – Liner Adapter (A1400-PT, A1700-PT only)	3
16	MK-10-300-185	Spacer Ring – Liner	3
17	MK-10-303-091	² Centering Sleeve – Liner (A850-PT, A1100-PT only)	3
	MK-10-300-186	² Centering Sleeve – Liner (A1400-PT, A1700-PT only)	3
18	MK-10-300-201	Seal – Suction Manifold	3
19	MK-99-609-345	Seal – Discharge Manifold	3

¹Offered in Plain Carbon or Stainless Steel



A-850-PT A-1100-PT
A-1400-PT A-1700-PT

FLUID END MODULE
AND ACCESSORIES

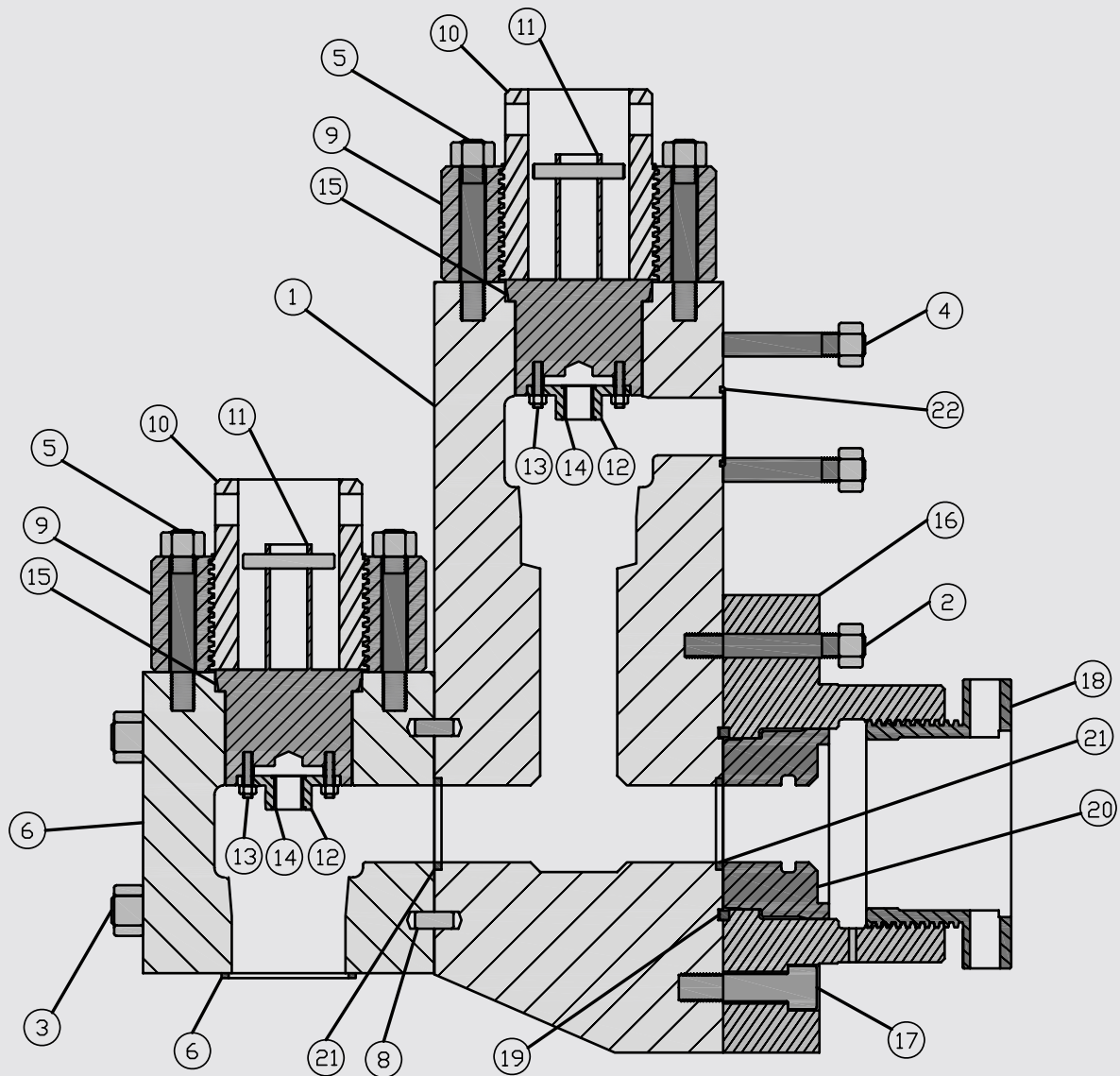


“L” SHAPED FB-1300 & FB-1600

Item	Part No.	Description	Qty per Pump
	MK-8490-2A	Complete Assembly	(3)
	MK-8490-1	Fluid Module, Discharge - Studded (included Items 1-5)	(3)
1		Fluid Module - Discharge	3
2	MK-4016-9	Stud w/Nut - Frame	30
3	MK-4017-1	Stud w/Nut - Suction Module	18
4	MK-4017-46	Stud w/Nut - Discharge Manifold	12
5	MK-4015-2	Stud w/Nut - Valve Cover	72
	MK-8490-2	Fluid Module, Suction - Studded (included items 5-6)	(3)
6		Fluid Module - Suction	3
7	MK-7602-1600-61	Seal - Suction Manifold	3
8	MK-8488-5	Dowel Pin	6
9	MK-4475	Threaded Flange	6
10	MK-4575	Screw Gland	6
	MK-4675-2A	Valve Cover Plug Assembly (included items 11-14)	(6)
11	MK-4675-2	Plug - Valve Cover	6
12	MK-4775-2	Valve Guide	6
13	MK-4016-99	Stud w/Nut - Valve Guide	16
14	MK-4700-I	Insert - Valve Guide	6
15	MK-P129	Seal - Valve Cover Plug	6
16	MK-6490-3	Liner Retainer Flange	3
17	MK-4017-36	Capscrew - Liner Retainer	24
18	MK-6590-1	Nut - Liner Retainer	3
19	MK-8422-3	Pilot Ring - Liner Retainer	3
20	MK-8490-3	Plate - Wear	3
21	MK-2988	Seal - Module and Wear Plate	6
22	MK-7602-1600-25	Seal - Discharge Manifold	3

"L" Shaped FB-1300 FB-1600

FLUID END MODULE
AND ACCESSORIES

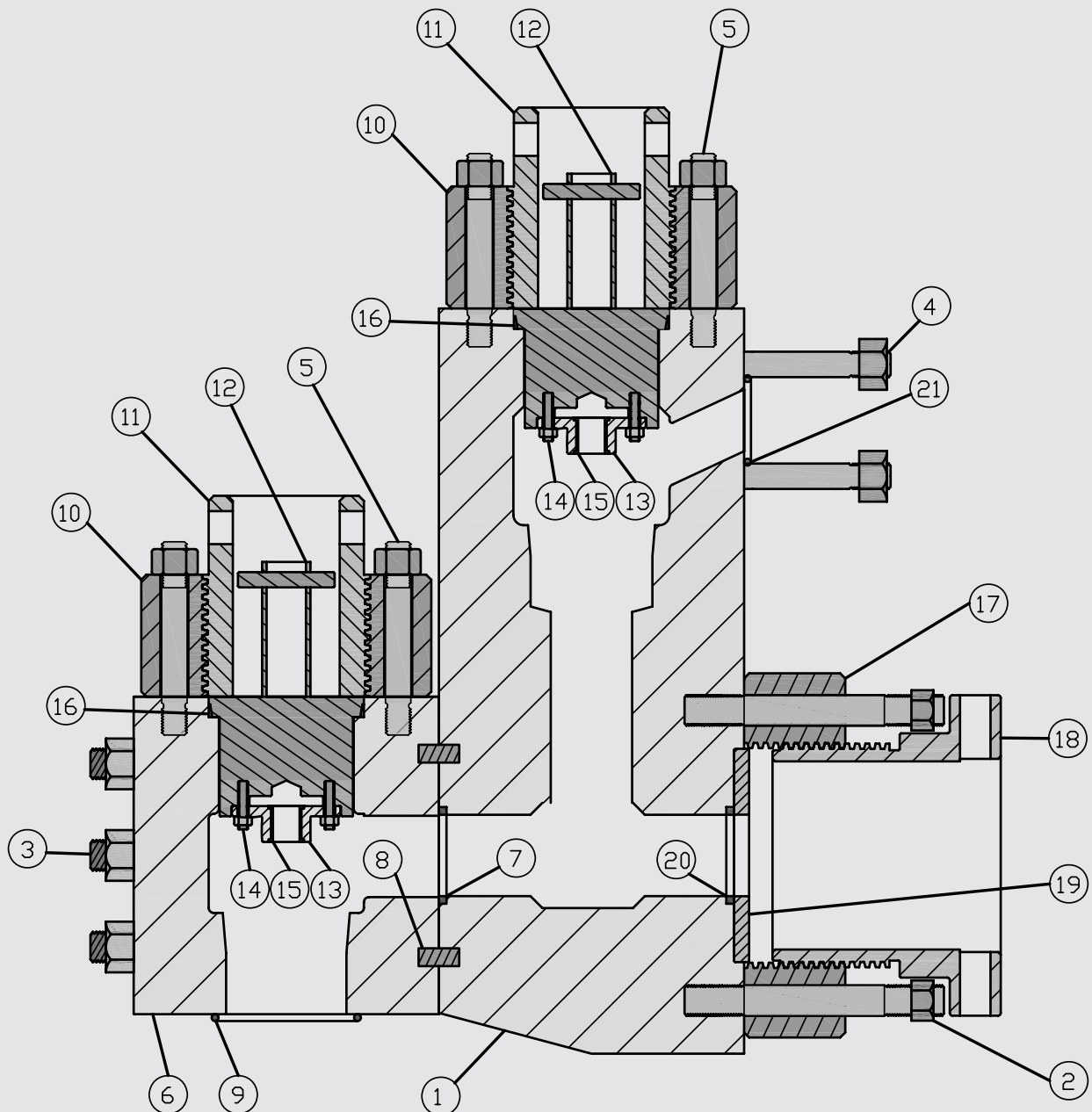


"L" SHAPED T-1300 & T-1600

Item	Part No.	Description	Qty per Pump
	MK-8407-7A	Complete Assembly	(3)
	MK-8407-7	Fluid Module, Discharge - Studded (included items 1-5)	(3)
1		Fluid Module - Discharge	3
2	MK-4018-68	Stud w/Nut - Frame, Liner Retainer	24
3	MK-4016-97	Stud w/Nut - Suction Module	24
4	MK-4017-50	Stud w/Nut - Discharge Manifold	12
5	MK-4015-2	Stud w/Nut - Valve Cover	48
	MK-8407-11	Fluid Module, Suction - Studded (included items 5-6)	(3)
6		Fluid Module - Suction	3
7	MK-2988	Seal - Suction Module	3
8	MK-8488-5	Dowel Pin	6
9	MK-IO-507	Seal - Suction Manifold	3
10	MK-4475	Threaded Flange	3
11	MK-4575	Screw Gland	3
	MK-4675-2A	Valve Cover Plug Assembly (included items 12-15)	(3)
12	MK-4675-2	Plug - Valve Cover	3
13	MK-4775-2	Valve Guide	3
14	MK-4016-99	Stud w/Nut - Valve Guide	12
15	MK-4700-I	Insert - Valve Guide	3
16	MK-P129	Seal - Valve Cover Plug	3
17	MK-6407	Liner Retainer Flange	3
18	MK-6507	Nut - Liner Retainer	3
19	MK-8407-10	Plate - Wear	3
20	MK-2988	Seal - Wear Plate	3
21	MK-IO-548	Seal - Discharge Manifold	3

"L" Shaped T-1300 T-1600

FLUID END MODULE
AND ACCESSORIES

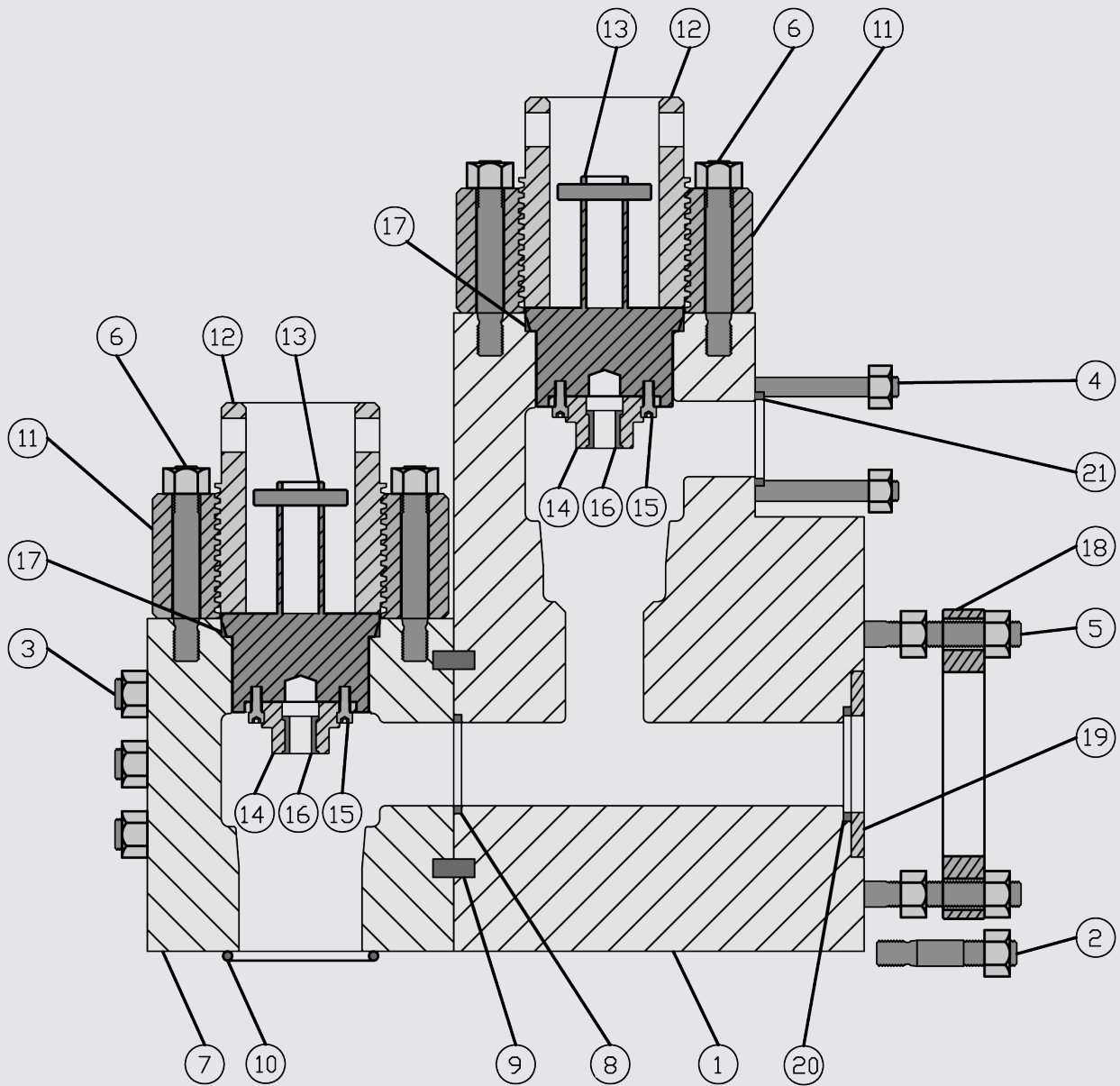


"L" SHAPED
PZ-10 & PZ-11

Item	Part No.	Description	Qty per Pump
	MK-8477-A	Complete Assembly	(3)
	MK-8477-1	Fluid Module, Discharge - Studded (included items 1-6)	(3)
1		Fluid Module - Discharge	3
2	MK-4018-35	Stud w/Nut - Frame	24
3	MK-4016-97	Stud w/Nut - Suction Module	18
4	MK-4017-5	Stud w/Nut - Discharge Manifold	12
5	MK-4018-34	Stud w/2 Nut - Liner Retainer	24
6	MK-4015-2	Stud w/Nut - Valve Cover	72
	MK-8477-2	Fluid Module, Suction - Studded (included items 6-7)	(3)
7		Fluid Module - Suction	3
8	MK-2988	Seal - Suction Module	3
9	MK-8488-5	Dowel Pin	6
10	MK-25BE41	Seal - Suction Manifold	3
11	MK-4475	Threaded Flange	6
12	MK-4575	Screw Gland	6
	MK-4675-1A	Valve Cover Plug Assembly (included items 13-16)	(6)
13	MK-4675-1	Plug - Valve Cover	6
14	MK-4775	Valve Guide	6
15	MK-4016-99	Stud w/Nut - Valve Guide	24
16	MK-4700-I	Insert - Valve Guide	6
17	MK-P129	Seal - Valve Cover Plug	6
18	MK-6477	Liner Retainer Flange	3
19	MK-8477-3	Plate - Wear	3
20	MK-2930-08	Seal - Wear Plate	3
21	MK-25AL35	Seal - Discharge Manifold	3

"L" Shaped PZ-10 PZ-11

FLUID END MODULE
AND ACCESSORIES



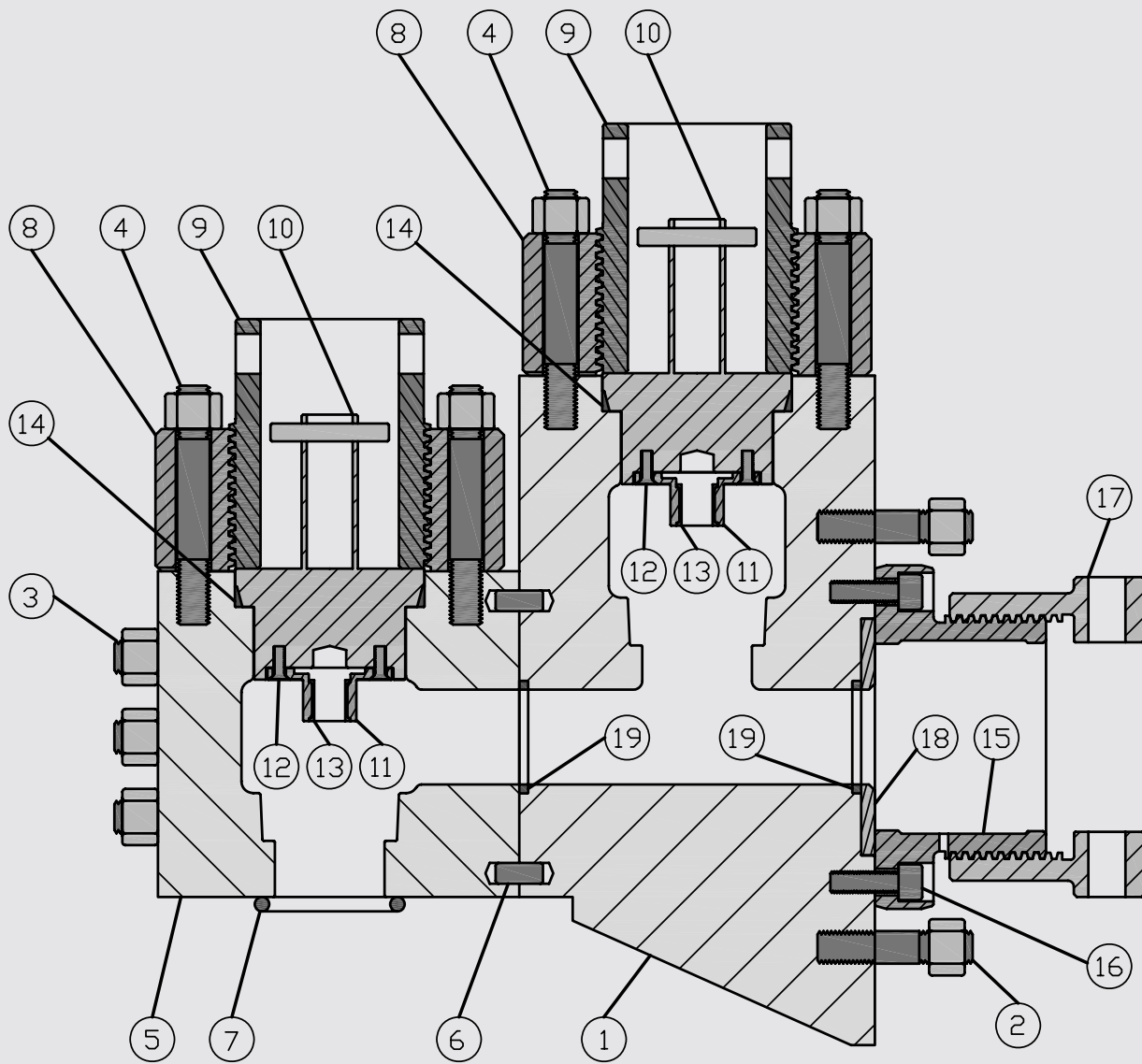
"L" SHAPED
10-P-130

Item	Part No.	Description	Qty per Pump
	MK-8467-A	Complete Assembly	(3)
	MK-8467-1	Fluid Module, Discharge - Studded (included Items 1-4)	(3)
1		Fluid Module - Discharge	3
2	MK-4015-96	Stud w/Nut - Frame	30
3	MK-4017-1	Stud w/Nut - Suction Module	18
4	MK-4015-5	Stud w/Nut - Valve Cover	72
	MK-8467-2	Fluid Module, Suction - Studded (included items 4-5)	(3)
5		Fluid Module - Suction	3
6	MK-8488-5	Dowel Pin	6
7	MK-1590051	Seal - Suction Manifold	3
8	MK-4467	Threaded Flange	6
9	MK-4567	Screw Gland	6
	MK-4667-A	Valve Cover Plug Assembly (included items 10-13)	(6)
10	MK-4667	Plug - Valve Cover	6
11	MK-4760-3	Valve Guide	6
12	MK-4016-98	Screw - Valve Guide	16
13	MK-4700-I	Insert - Valve Guide	6
14	MK-P128	Seal - Valve Cover Plug	6
15	MK-6495	Liner Retainer Flange	3
16	MK-4017-8	Capscrew - Liner Retainer	18
17	MK-6595	Nut - Liner Retainer	3
18	MK-8467-3	Plate - Wear	3
19	MK-2988	Seal - Module and Wear Plate	6

"L" Shaped

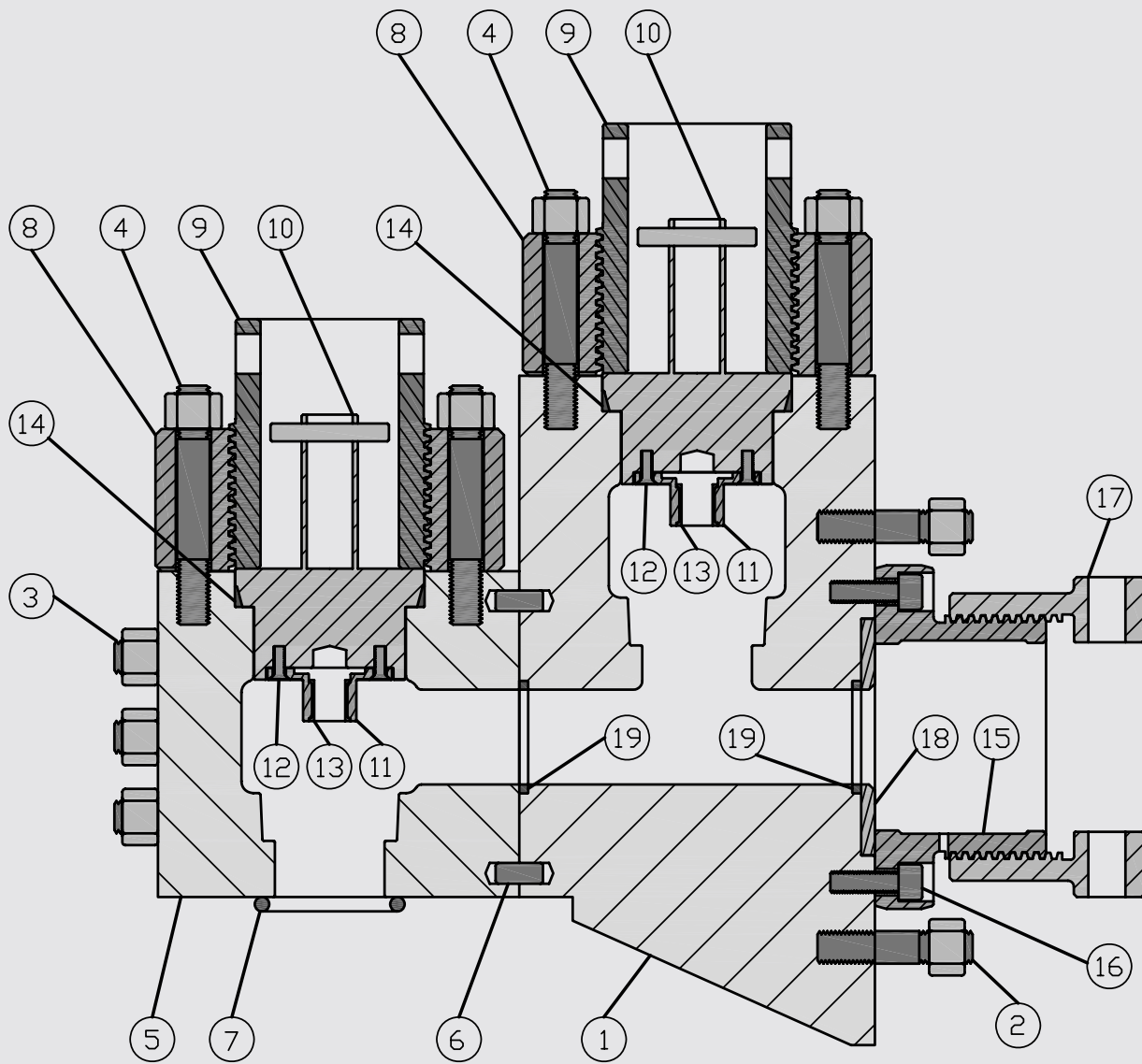
10-P-130

FLUID END MODULE
AND ACCESSORIES



"L" SHAPED 12-P-160 New Style

Item	Part No.	Description	Qty per Pump
	MK-8476-4A	Complete Assembly	(3)
	MK-8476-5	Fluid Module, Discharge - Studded (included Items 1-4)	(3)
1		Fluid Module - Discharge	3
2	MK-4015-95	Stud w/Nut - Frame	30
3	MK-4018-17	Stud w/Nut - Suction Module	18
4	MK-4015-54	Stud w/Nut - Valve Cover	72
	MK-8476-6	Fluid Module, Suction - Studded (included items 4-5)	(3)
5		Fluid Module - Suction	3
6	MK-8488-5	Dowel Pin	6
7	MK-1540851	Seal - Suction Manifold	3
8	MK-4476	Threaded Flange	6
9	MK-4597	Screw Gland	6
	MK-4676-6A	Valve Cover Plug Assembly (included items 10-13)	(6)
10	MK-4676-6	Plug - Valve Cover	6
11	MK-4776	Valve Guide	6
12	MK-4016-98	Screw - Valve Guide	24
13	MK-4700-I	Insert - Valve Guide	6
14	MK-P119	Seal - Valve Cover Plug	6
15	MK-6476	Liner Retainer Flange	3
16	MK-4017-65	Capscrew - Liner Retainer	18
17	MK-6576	Nut - Liner Retainer	3
18	MK-8476-3	Plate - Wear	3
19	MK-2988	Seal - Module and Wear Plate	6



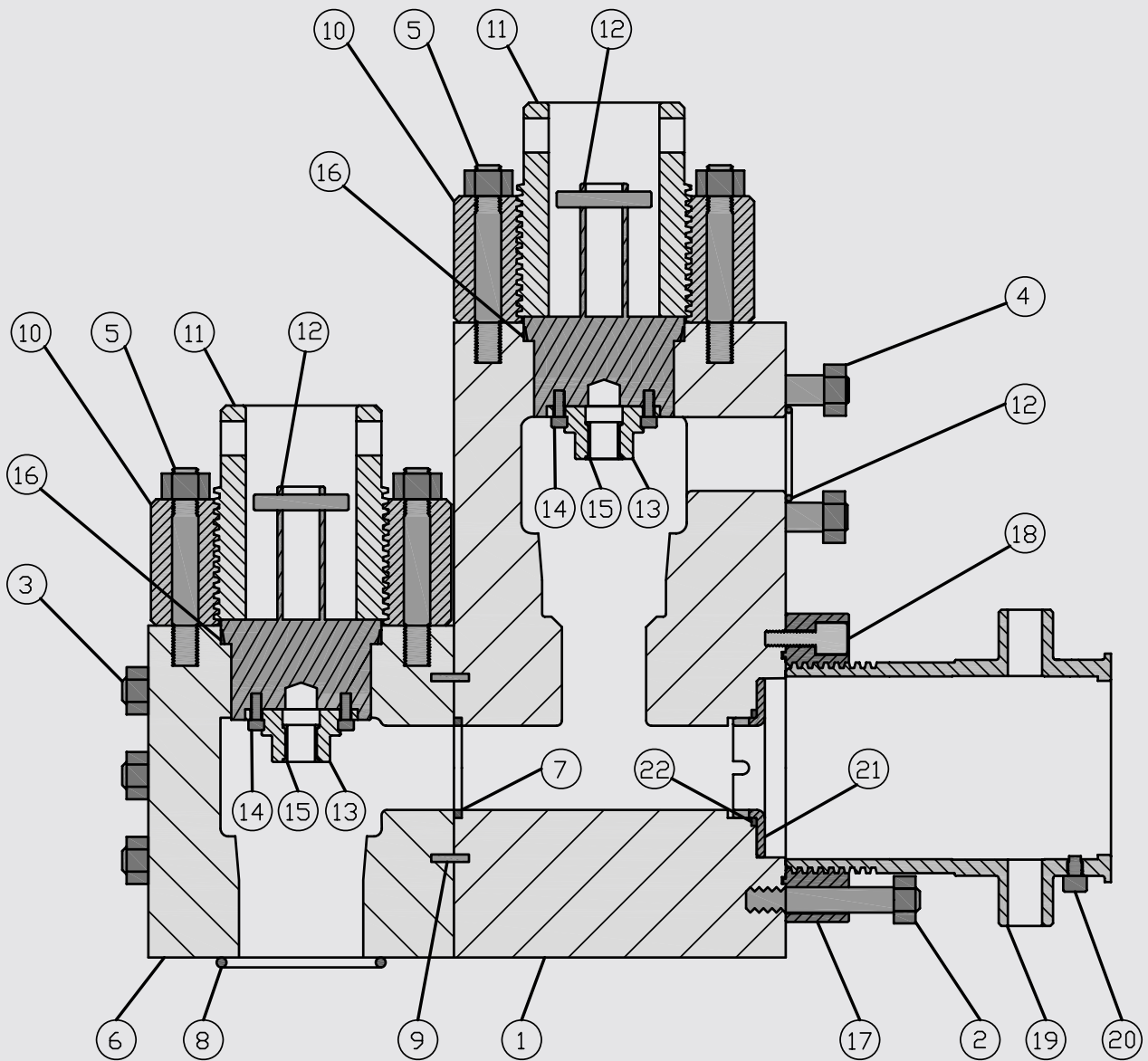
"L" SHAPED A-850-PT, A-1100-PT, A-1400-PT & A-1700-PT

Item	Part No.	Description	Qty per Pump
	MK-8487-A	Complete Assembly (A-850-PT, A-1100-PT)	(3)
	MK-8488-1A	Complete Assembly (A-1400-PT, A-1700-PT)	(3)
	MK-8488-1	Fluid Module, Discharge - Studded (included items 1-5)	(3)
1		Fluid Module - Discharge	3
2	MK-4016-96	Stud w/Nut - Frame	12
3	MK-4016-97	Stud w/Nut - Suction Module	18
4	MK-4016-3	Stud w/Nut - Discharge Manifold	12
5	MK-4015-2	Stud w/Nut - Valve Cover	72
	MK-8488-2	Fluid Module, Suction - Studded (included items 5-6)	(3)
6		Fluid Module - Suction	3
7	MK-2988	Seal - Module	3
8	MK-10-300-201	Seal - Suction Manifold	3
9	MK-8488-5	Dowel Pin	6
10	MK-4475	Threaded Flange	6
11	MK-4575	Screw Gland	6
	MK-4675-1A	Valve Cover Plug Assembly (included items 12-15)	(6)
12	MK-4675-1	Plug - Valve Cover	6
13	MK-4775	Valve Guide	6
14	MK-4018-88	Screw - Valve Guide	12
15	MK-4700-I	Insert - Valve Guide	6
16	MK-P129	Seal - Valve Cover Plug	3
17	MK-6488-1	Liner Retainer Flange	3
18	MK-4017-4	Capscrew - Liner Retainer	24
19	MK-6587-1	Nut - Liner Retainer (A-850-PT, A-1100-PT ONLY Large OD Liner, MK-0289-XX)	3
	MK-6588-1	Nut - Liner Retainer (A-1400-PT, A-1700-PT ONLY Large OD Liner, MK-0284-XX)	3
20	MK-8488-7	Set Screw - Liner Retainer	9
21	MK-8488-4	Plate - Wear	3
22	MK-2974-1	Seal - Wear Plate	3

"L" Shaped

A-850-PT A-1100-PT A-1400-PT A-1700-PT

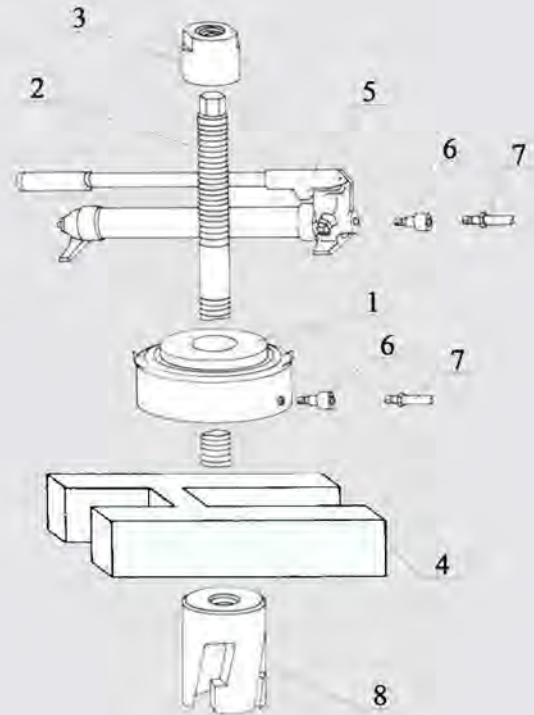
FLUID END MODULE
AND ACCESSORIES



HYDRAULIC VALVE SEAT PULLER PARTS & OPERATING INSTRUCTIONS

- 1 Insert head into pot and lock into seat.
Screw stem into head.
- 2 Place H bar over stem and center
over pot bore. Place jack
over stem and on H bar.
- 3 Tighten stem nut onto stem until all slack
is removed. The jack may be strapped
down to eliminate jumping action when
seat breaks loose.
- 4 Attach hose to pump and jack then pump
handle untill seat breaks loose.

Manual Pump(5) Max 10,000 PSI
Hydraulic Jack(1) 170 ton



No.	Part Number	Description
	MK-1700	Valve Seat Puller Assembly complete w/ metal case
1	MK-1701	Hydraulic Jack
	MK-1717	Hydraulic Jack Seal Repair Kit
2	MK-1702	Center Stem
3	MK-1703	Center Stem Nut
4	MK-1704	Puller H Bar
5	MK-1708	Hydraulic Pump
	MK-1718	Hydraulic Pump Repair Kit
6	MK-1713	Gauge Coupler
7	MK-1707	Hydraulic Hose



Pulsation Dampeners and Strainer Blocks



	Bottom Connection	Capacity	Max Pressure	WT
K20	4" API 5000 R44 RJ	20	5000	2145
K10	4" API 5000 R44 RJ	10	5000	950
K5	2" ANSI 1500 Raised Face	5	3000	230
PD55	4" API 5000 R44 RJ	20	5000	1373
PD45	4" API 5000 R44 RJ	12	5000	918

CA122 Liner Wash Pump	
Part Number	Description
MK-CA122	CA122 Liner Wash Pump

